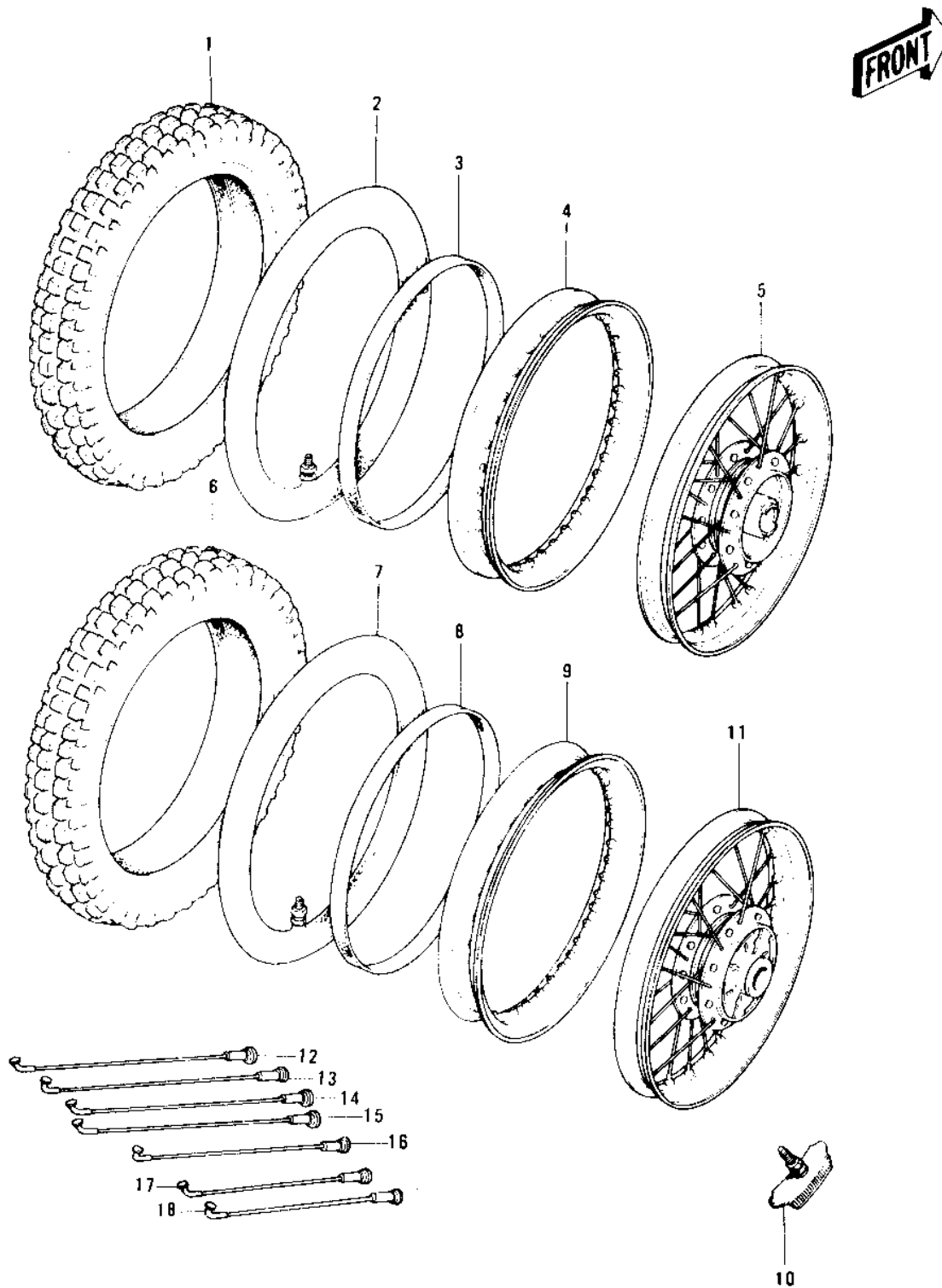


## 1976 KE125 PARTS DIAGRAM

WHEELS/TIRES ('76-'79)

Ref



## 1976 KE125 PARTS LIST

WHEELS/TIRES ('76-'79)

ITEM NAME	PART NUMBER	QUANTITY
TIRE 275-21 Y965 F (Ref # 1)	41002-1215	1
*** N.L.A.*** (Canada) (Ref # 2)	41022-025	1
TUBE,2.75/3.70-21 (Ref # 2)	41022-1021	1
BAND,RIM,3.00-21 (Ref # 3)	41023-1001	1
RIM,1.60AX21 (Ref # 4)	41025-078	1
WHEEL ASSY,FRONT (Ref # 5)	41074-037	1
TIRE 350-18 Y962 R (Ref # 6)	41002-1216	1
TUBE 3.50-18 (Ref # 7)	41022-027	1
TUBE 300/325/360-18 (Ref # 7)	41022-028	1
UNAVAILABLE IN PRICE BOOK (Ref # 7)	41022-1004	1
BAND,RIM,4.00/5.10-18 (Ref # 8)	41023-1006	1
RIM 1.85BX18W (Ref # 9)	41025-044	1
PROTECTOR-BEAD 1.85B (Ref # 10)	41024-007	1
WHEEL ASSY,REAR (Ref # 11)	42048-026	1
WHEEL ASSY,REAR (Ref # 11)	42048-034	1
SPOKE-ASY,FR INNER (Ref # 12)	41027-068	1
SPOKE-ASY FR OUTER (Ref # 13)	41028-068	1
SPOKE-ASY,FR (Ref # 14)	41027-069	1
SPOKE-ASY,RR INNER L (Ref # 15)	41027-070	1
SPOKE-ASY RR OUTER L (Ref # 16)	41028-069	1
SPOKE-ASY,RR INNER R (Ref # 17)	41027-071	1
SPOKE-ASY RR OUTER R (Ref # 18)	41028-070	1