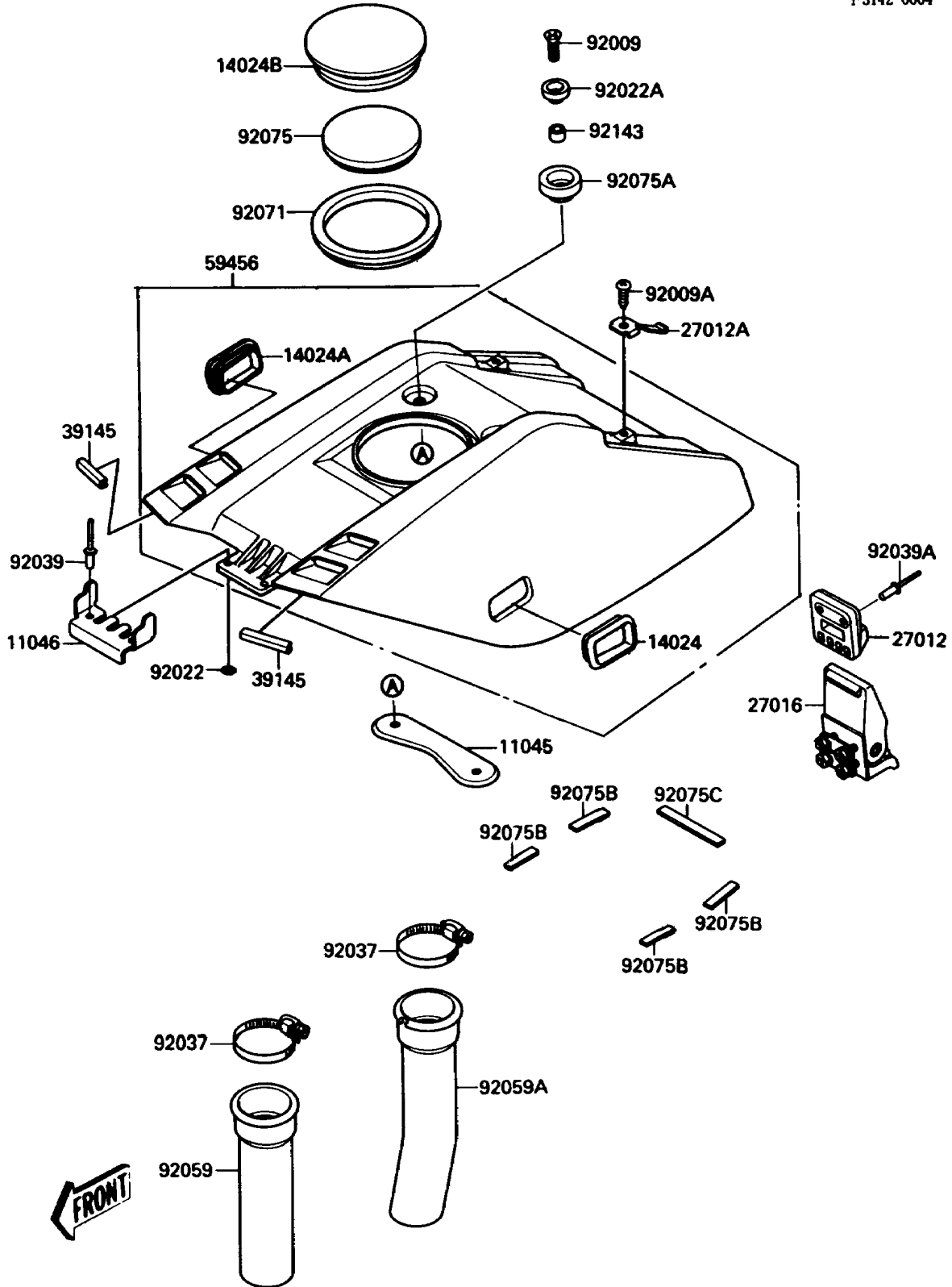


## 1988 JET SKI® 650 SX PARTS DIAGRAM

Engine Hood

F3142-0004



## 1988 JET SKI® 650 SX PARTS LIST

Engine Hood

| ITEM NAME                                | PART NUMBER   | QUANTITY |
|--|---------------|----------|
| BRACKET (Ref # 11045)                    | 11045-3727    | 1        |
| BRACKET (Ref # 11046)                    | 11046-3703    | 1        |
| COVER,LH,JET WHITE (Ref # 14024)         | 14024-3725-8C | 1        |
| COVER,RH,JET WHITE (Ref # 14024A)        | 14024-3726-8C | 1        |
| COVER (Ref # 14024B)                     | 14024-3748    | 1        |
| HOOK (Ref # 27012)                       | 27012-3711    | 1        |
| HOOK,FOR PAD (Ref # 27012A)              | 27012-3716    | 1        |
| LOCK-ASSY (Ref # 27016)                  | 27016-3703    | 1        |
| TRIM-SEAL (Ref # 39145)                  | 39145-3708    | 1        |
| HOOD-COMP-ENGINE,JET WHITE (Ref # 59456) | 59456-3704-8C | 1        |
| SCREW,6X25 (Ref # 92009)                 | 92009-3717    | 1        |
| SCREW,TAPPING (Ref # 92009A)             | 92011-561     | 1        |
| WASHER,5X16X1.5 (Ref # 92022)            | 92022-3041    | 1        |
| WASHER (Ref # 92022A)                    | 92022-3732    | 1        |
| CLAMP (Ref # 92037)                      | 92037-3738    | 1        |
| RIVET (Ref # 92039)                      | 92039-3002    | 1        |
| RIVET (Ref # 92039A)                     | 92039-3722    | 1        |
| TUBE (Ref # 92059)                       | 92059-3803    | 1        |
| TUBE (Ref # 92059A)                      | 92059-3815    | 1        |
| GROMMET (Ref # 92071)                    | 92071-3742    | 1        |
| DAMPER (Ref # 92075)                     | 92075-3737    | 1        |
| DAMPER (Ref # 92075A)                    | 92075-3741    | 1        |
| DAMPER,DUCT,RR,LH (Ref # 92075B)         | 92075-3744    | 1        |
| DAMPER,DUCT,REAR (Ref # 92075C)          | 92075-3746    | 1        |
| COLLAR,7.1X10.5X6 (Ref # 92143)          | 92027-3702    | 1        |