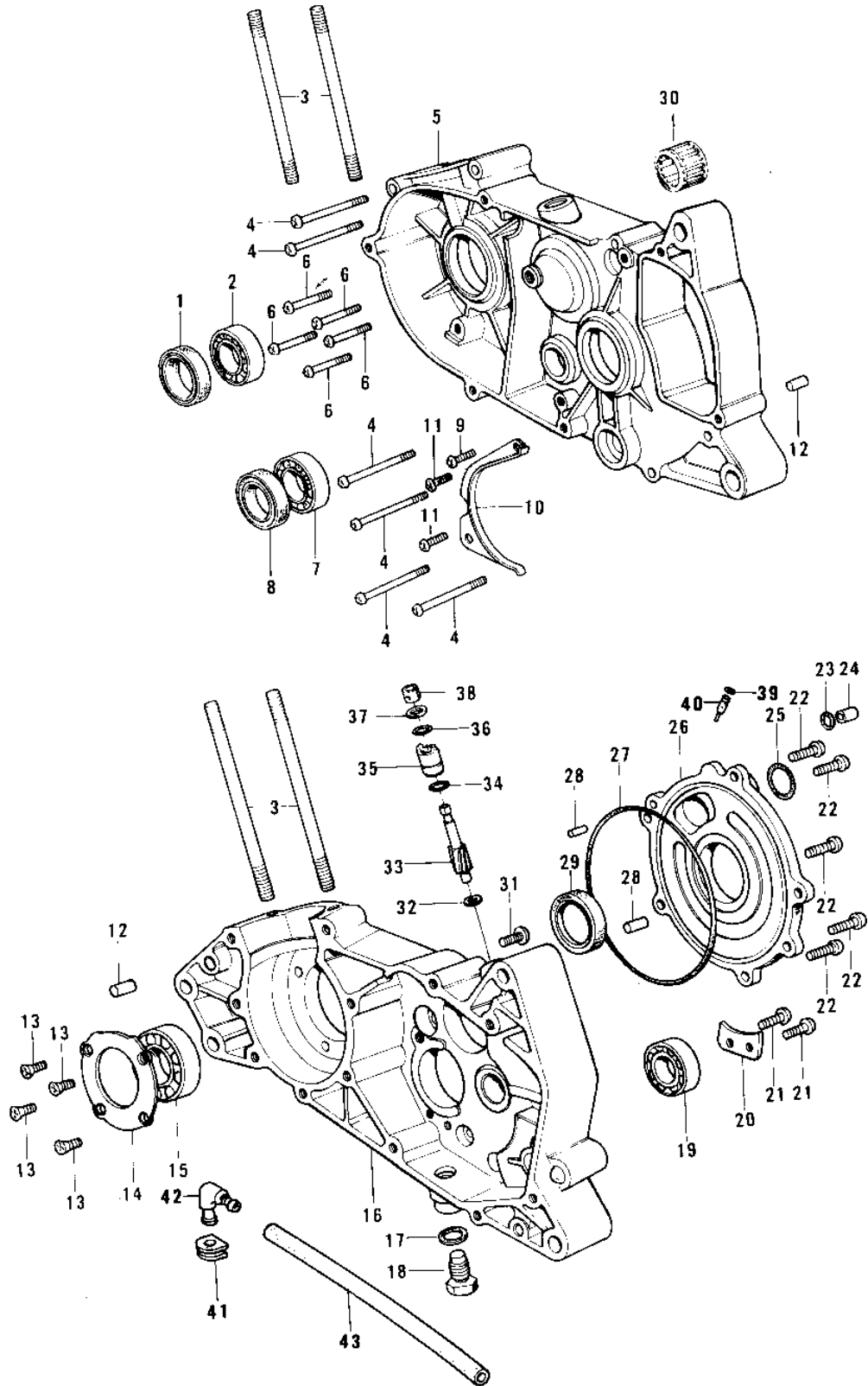


1976 KE125 PARTS DIAGRAM

CRANKCASE ('76-'79)



1976 KE125 PARTS LIST

CRANKCASE ('76-'79)

ITEM NAME	PART NUMBER	QUANTITY
SEAL-OIL (Ref # 1)	92049-1240	1
BEARING BALL #6204 (Ref # 2)	601B6204	1
STUD,8X70 (Ref # 3)	172G0870	1
SCREW PAN HEAD 6X80 (Ref # 4)	220B0680	1
SET-CRANKCASE,F.BLACK (Ref # 5)	14001-5149	1
SET-CRANKCASE,F.BLACK (Ref # 5)	14001-5138	2
SCREW PAN HEAD 6X40 (Ref # 6)	220B0640	1
BEARING BALL #6004 (Ref # 7)	601B6004	1
OIL SEAL SC25376 (Ref # 8)	92050-013	1
SCREW PAN HEAD 6X20 (Ref # 9)	220B0620	1
GUIDE,CHAIN (Ref # 10)	14077-003	1
SCREW PAN HEAD 6X12 (Ref # 11)	220B0612	2
PIN,DOWEL,10X14 (Ref # 12)	92043-1037	1
PIN,DOWEL,10X14 (Ref # 12)	552B1014	1
SCREW CNTSNK HD 6X16 (Ref # 13)	221B0616	1
PLATE,CRANK BEARING (Ref # 14)	14014-028	1
BEARING BALL #6304 (Ref # 15)	601B6304	1
CRANKCASE,R.H.,BLACK (Ref # 16)	14002-1040-21	1
GASKET-DRAIN PLUG (Ref # 17)	92065-073	1
PLUG (Ref # 18)	92066-1240	1
BEARING BALL #6203 (Ref # 19)	601B6203	1
PLATE,MISSION BERNG (Ref # 20)	14014-029	1
SCREW PAN HEAD 5X20 (Ref # 22)	220B0520	1
"O" RING,8MM (Ref # 23)	92055-029	1
PIN DOWEL 8X16 (Ref # 24)	92042-017	1
PIN,DOWEL (Ref # 24)	92042-037	1
"O" RING,28MM (Ref # 25)	670B3028	1
COVER ASY,ROTARY VLV (Ref # 26)	14019-054	1
COVER,ROTARY DISC (Ref # 26)	14019-055	1

1976 KE125 PARTS LIST

CRANKCASE ('76-'79)

ITEM NAME	PART NUMBER	QUANTITY
"O" RING, VALVE COVER (Ref # 27)	92055-057	1
PIN DOWEL 5X12 (Ref # 28)	610A0512	1
SEAL-OIL (Ref # 29)	92049-1250	1
BEARING, NEEDLE (Ref # 30)	92046-043	1
SCREW PAN HEAD 6X25 (Ref # 31)	220B0625	1
WASHER, THRUST (Ref # 32)	92026-094	1
GEAR, TACHOMETER (Ref # 33)	13223-007	1
GASKET, FUEL TAP JOINT (Ref # 34)	11009-1567	1
BUSHING (Ref # 35)	92028-136	1
"O" RING (Ref # 36)	92055-060	1
WASHER, PLAIN (Ref # 37)	92022-275	1
BUSHING, TACHOMETER (Ref # 38)	92028-140	1
"O" RING (Ref # 39)	92055-080	1
NOZZLE (Ref # 40)	92062-012	1
GROMMET (Ref # 41)	92071-042	1
BREATHER ASSY (Ref # 42)	14069-1001	2