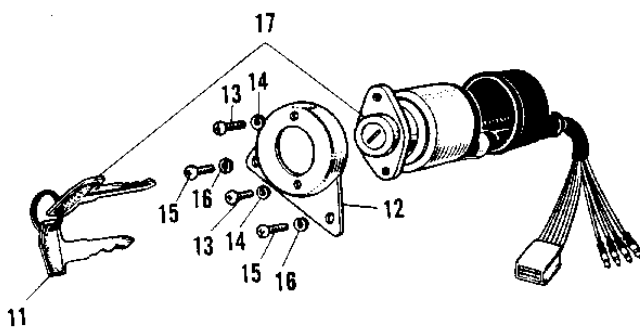
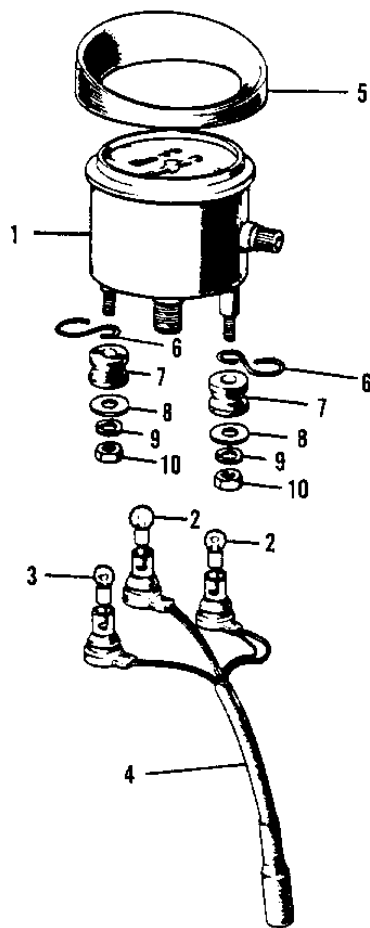


1970 PARTS DIAGRAM

METER/IGNITION SWITCH G4TR/A/B ('70-'73)



G4TR/A

1970 PARTS LIST

METER/IGNITION SWITCH G4TR/A/B ('70-'73)

| ITEM NAME | PART NUMBER | QUANTITY |
|---------------------------------|--------------|----------|
| SPEEDOMETER ASSY MPH (Ref # 1) | 25005-039 | 1 |
| BULB 6V 1.5W (Ref # 2) | 92069-024 | 1 |
| BULB-6V 3W (Ref # 3) | 92069-053 | 1 |
| SOCKET SPEEDOMETER (Ref # 4) | 25011-013 | 1 |
| COVER-SPEEDOMETER (Ref # 5) | 25012-005 | 1 |
| CLAMP CABLE (Ref # 6) | 25022-002 | 1 |
| DAMPER RUBB SPEEDMETR (Ref # 7) | 92075-024 | 1 |
| WASHER 6.5X20X1.6T (Ref # 8) | 92022-125 | 1 |
| WASHER SPRING 6MM (Ref # 9) | 461F0600 | 2 |
| NUT 6MM (Ref # 10) | 311B0600 | 1 |
| KEY SET NO.235 (Ref # 11) | 27008-034-35 | 1 |
| KEY SET NO.239 (Ref # 11) | 27008-034-39 | 1 |
| KEY SET NO.321 (Ref # 11) | 27008-034-21 | 1 |
| KEY SET NO.324 (Ref # 11) | 27008-034-24 | 1 |
| KEY,BLANK (Ref # 11) | 27008-1016 | 1 |
| KEY,BLANK (Ref # 11) | 27008-1017 | 1 |
| KEY,BLANK (Ref # 11) | 27008-1018 | 1 |
| KEY,BLANK (Ref # 11) | 27008-1019 | 1 |
| HOUSING IGNITION SW (Ref # 12) | 27009-007 | 1 |
| SCREW PAN HEAD 5X12 (Ref # 13) | 220B0512 | 1 |
| WASHER SPRING 5MM (Ref # 14) | 461F0500 | 1 |
| SCREW PAN HEAD 6X12 (Ref # 15) | 220E0612 | 1 |
| SWITCH ASSY,IGNITION (Ref # 17) | 27005-1016 | 2 |