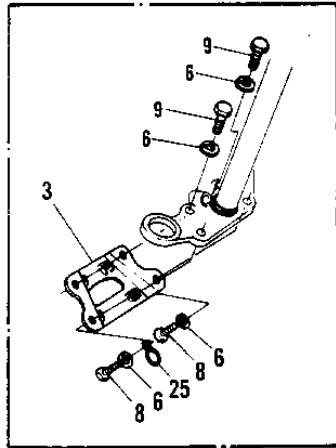
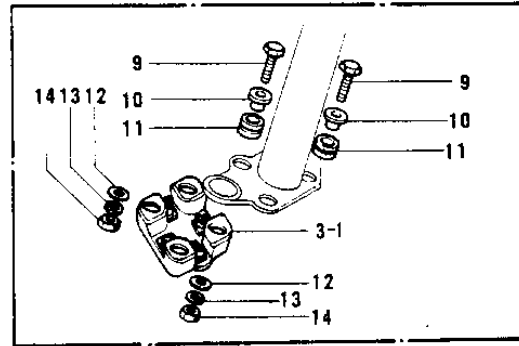


1970 PARTS DIAGRAM

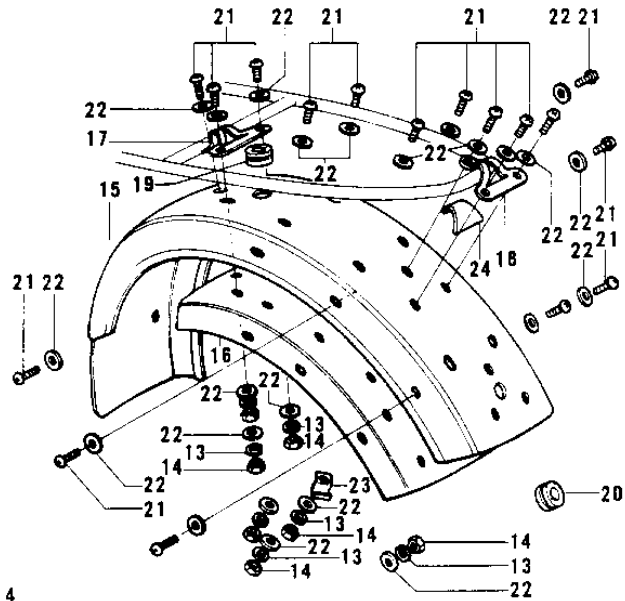
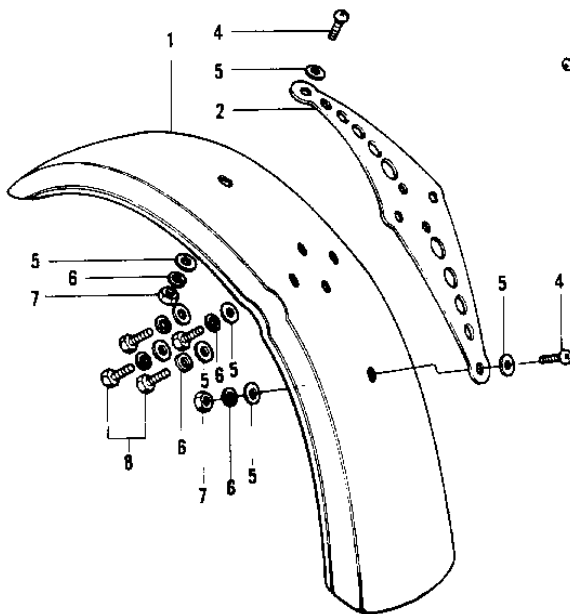
FENDERS G4TR-B/C ('70-'73)



G4TR-B



G4TR-C



G4TR-B

1970 PARTS LIST

FENDERS G4TR-B/C ('70-'73)

ITEM NAME	PART NUMBER	QUANTITY
FENDER-FR (Ref # 1)	35004-069	1
FENDER-FR (Ref # 1)	35004-070	1
PLATE FRONT FENDER (Ref # 2)	35013-003	1
PLATE-FRONT FENDER (Ref # 2)	35013-011	1
BRACKET FRONT FENDER (Ref # 3)	35012-010	1
BRACKET-FRONT FENDER (Ref # 3-1)	35012-017	1
SCREW PAN HEAD 6X10 (Ref # 4)	220E0610	1
WASHER PLAIN 6MM (Ref # 5)	411B0600	2
WASHER SPRING 6MM (Ref # 6)	461F0600	2
NUT 6MM (Ref # 7)	312B0600	1
BOLT-UPSET,6X12 (Ref # 8)	112G0612	2
BOLT 6X22 (Ref # 9)	112B0622	1
BOLT-UPSET (Ref # 9)	112G0630	1
COLLAR (Ref # 10)	92027-153	1
DAMPER RUBBER (Ref # 11)	92075-051	1
WASHER 6.5X20X1.6T (Ref # 12)	92022-125	1
NUT 6MM (Ref # 14)	311B0600	2
FENDER-REAR (Ref # 15)	35022-070	1
FENDER-RR (Ref # 15)	35022-073	1
GUSSET-REAR FENDER (Ref # 16)	35034-015	1
GUSSET-REAR FENDER (Ref # 16)	35034-018	1
BRACKET REAR FENDER (Ref # 17)	35025-016	1
BRACKET REAR FENDER (Ref # 18)	35025-017	1
GROMMET HARNESS 10MM (Ref # 19)	92071-010	1
GROMMET HARNESS 10MM (Ref # 20)	92071-019	1
SCREW PAN HEAD 6X14 (Ref # 21)	220B0614	1
CLIP WIRING HARNESS (Ref # 23)	35024-002	1
RUBBER R FEND SUPPORT (Ref # 24)	32103-015	1
CLAMP-CABLE (Ref # 25)	92037-046	1