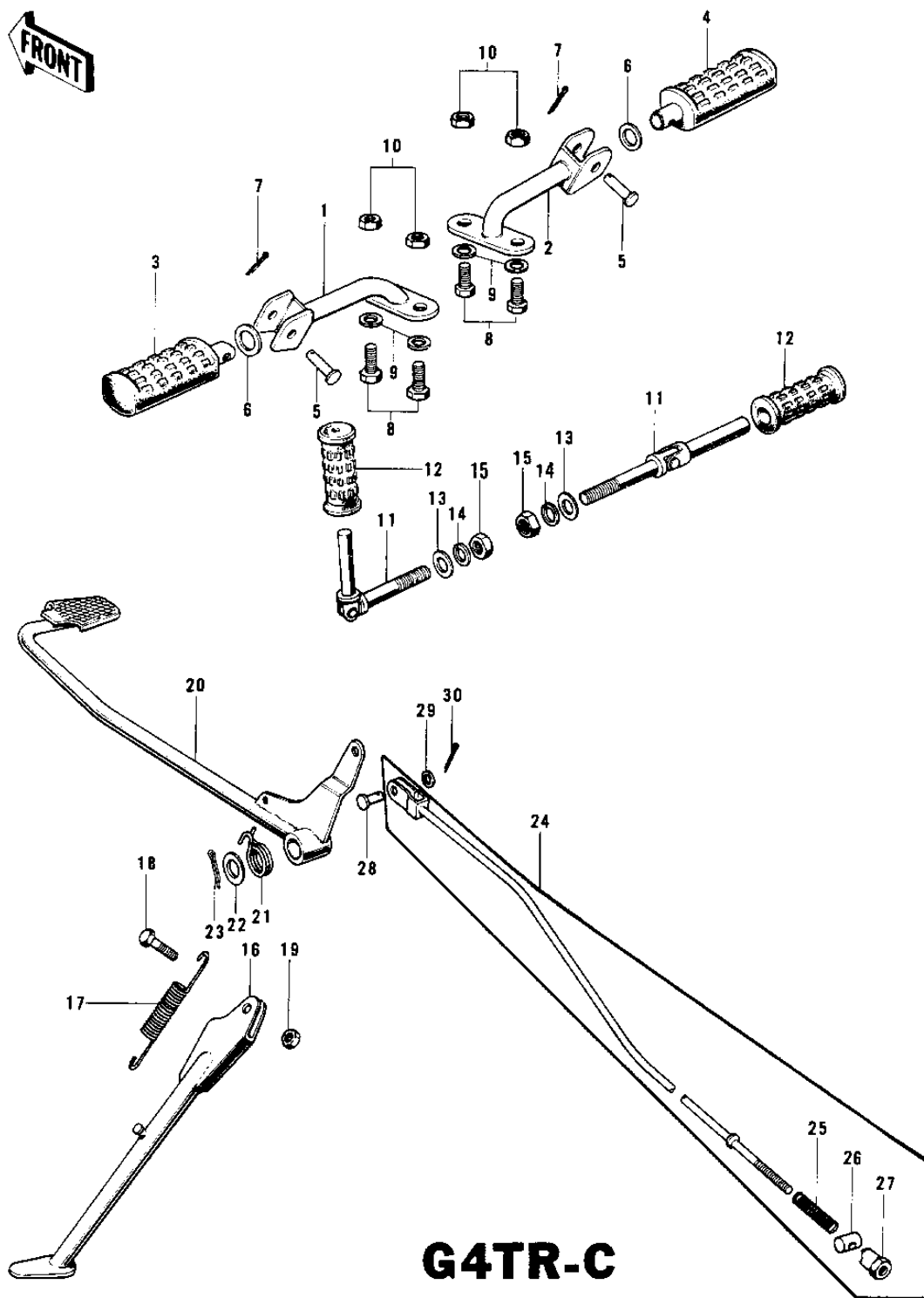


1970 PARTS DIAGRAM

FOOTRESTS/STAND/BRAKE PEDAL G4TR-C ('70-



1970 PARTS LIST

FOOTRESTS/STAND/BRAKE PEDAL G4TR-C ('70-

ITEM NAME	PART NUMBER	QUANTITY
BAR,L.H FOOTREST (Ref # 1)	34003-047	2
BAR,R.H FOOTREST (Ref # 2)	34003-048	2
STEP-ASSY,FR,LH (Ref # 3)	34027-1114	2
STEP-ASSY,FR,RH (Ref # 4)	34027-1115	2
PIN-FOOTREST BAR FIT (Ref # 5)	92043-080	1
WASHER PL 22.5X36X2.3 (Ref # 6)	92022-204	1
PIN,COTTER,2.5X15 (Ref # 7)	550D2515	1
BOLT-UPSET,10X20 (Ref # 8)	112B1020	1
WASHER PLAIN 10MM (Ref # 9)	410B1000	1
NUT 10MM (Ref # 10)	315B1000	2
BAR-RR FOOTREST (OPT) (Ref # 11)	34028-009	1
RUBBER,REAR FOOTREST (Ref # 12)	92076-024	1
WASHER-PLAIN (OPT) (Ref # 13)	92022-199	1
WASHER SPRING 10MM (Ref # 14)	461F1000	1
NUT,10MM (Ref # 15)	314B1000	1
STAND-SIDE (Ref # 16)	34024-035	1
SPRING,SIDE STAND (Ref # 17)	34025-001	1
BOLT,HEX HEAD,10X25 (Ref # 18)	113G1025	1
PEDAL-BRAKE (Ref # 20)	43001-045	1
SPRING BRAKE PEDAL (Ref # 21)	43005-007	1
WASHER BRAKE PEDAL (Ref # 22)	92022-085	1
PIN COTTER 3.0X30 (Ref # 23)	550D3030	1
ROD ASSY,BRAKE (Ref # 24)	43010-016	2
SPRING,BRAKE ROD (Ref # 25)	43012-001	1
PIN BRAKE (Ref # 26)	92043-039	1
NUT-BRAKE ROD ADJUST (Ref # 27)	92015-042	1
PIN-BRAKE CABLE FIT (Ref # 28)	92043-092	1
WASHER PLAIN 6MM (Ref # 29)	410B0600	1
PIN COTTER 2.0X15 (Ref # 30)	550D2015	1