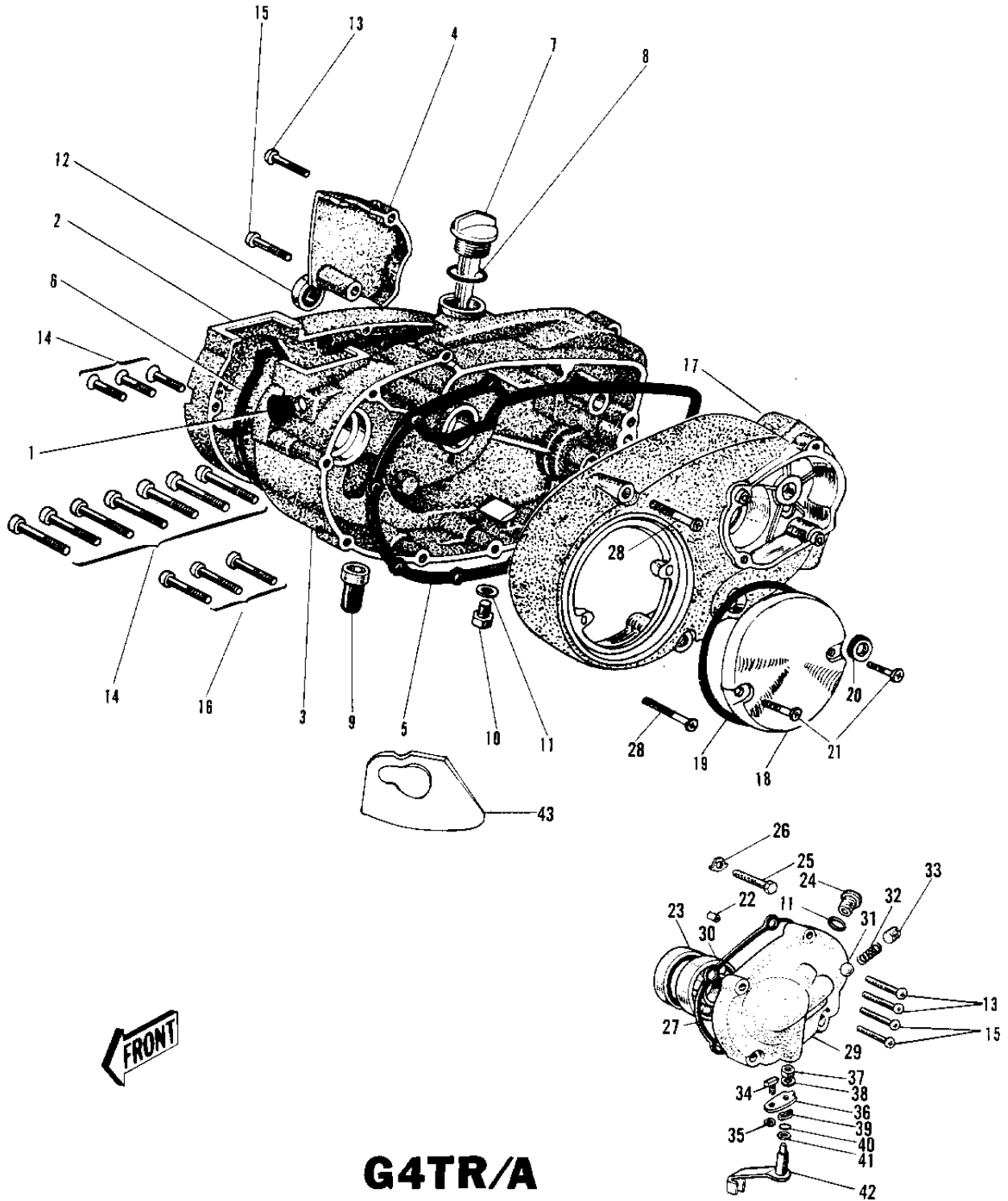


1970 PARTS DIAGRAM

ENGINE COVERS G4TR/A ('70-'73)



1970 PARTS LIST

ENGINE COVERS G4TR/A ('70-'73)

ITEM NAME	PART NUMBER	QUANTITY
CAP CARB MOUNT HOLE (Ref # 1)	14039-001	2
COVER CARBURETOR (Ref # 2)	14030-005	2
COVER R.H ENGINE (Ref # 3)	14032-049	2
COVER OIL PUMP (Ref # 4)	14030-006	2
GASKET,CLUTCH COVER (Ref # 5)	11060-1198	2
GASKET CARB COVER (Ref # 6)	14048-001	2
FILLER,OIL (Ref # 7)	16115-018	6
"O" RING,OIL FIL PLUG (Ref # 8)	92055-026	2
DRAIN FUEL (Ref # 9)	16116-002	2
PLUG OIL DRAIN (Ref # 10)	92067-001	2
GASKET CHECK VALVE (Ref # 11)	92065-058	2
OIL SEAL TB14257 (Ref # 12)	653B142507	2
SCREW PAN HEAD 6X25 (Ref # 13)	220B0625	2
SCREW PAN HEAD 6X30 (Ref # 14)	220B0630	2
SCREW PAN HEAD 6X35 (Ref # 15)	220B0635	2
SCREW PAN HEAD 6X45 (Ref # 16)	220B0645	2
COVER L.H ENGINE (Ref # 17)	14031-036	2
COVER-BRK POINT,CR (Ref # 18)	14027-007-79	2
GASKET BREAKER COVER (Ref # 19)	14050-002	2
SEAL-OIL (Ref # 20)	92049-1249	2
SCREW PAN HEAD 6X12 (Ref # 21)	220B0612	2
PIN,DOWEL,10X8.2X14 (Ref # 22)	92043-1037	2
OIL SEAL SC38556 (Ref # 23)	92050-012	2
PLUG OIL FILLER (Ref # 24)	16115-010	2
BOLT-UPSET (Ref # 25)	112G0645	2
WASHER LOCK 6MM (Ref # 26)	92024-019	2
GASKET LH ENG COV CAP (Ref # 27)	14051-001	2
SCREW PAN HEAD 6X65 (Ref # 28)	220B0665	2
CAP ASSY L.H ENG COV (Ref # 29)	14075-002	2

1970 PARTS LIST

ENGINE COVERS G4TR/A ('70-'73)

ITEM NAME	PART NUMBER	QUANTITY
BEARING BALL #6005 (Ref # 30)	601B6005	2
BALL STEEL 1/4' (Ref # 31)	600A0800	2
SPRING (Ref # 32)	92081-075	2
PLUG L.H ENG COV CAP (Ref # 33)	92066-015	2
RETAINER SHIFT ROD (Ref # 34)	13197-001	2
CIRCLIP SELD BEM FIT (Ref # 35)	482K4000	2
LEVER A (Ref # 36)	13204-002	2
NUT 6MM (Ref # 37)	312B0600	2
WASHER SPRING 6MM (Ref # 38)	461F0600	2
WASHER WAVE (Ref # 39)	13211-001	2
"O" RING,8MM (Ref # 40)	670B1508	2
WASHER PLAIN 8MM (Ref # 41)	410B0800	2
LEVER SHIFT (Ref # 42)	13234-001	2
TENSIONER-CHAIN (Ref # 43)	13123-003	2