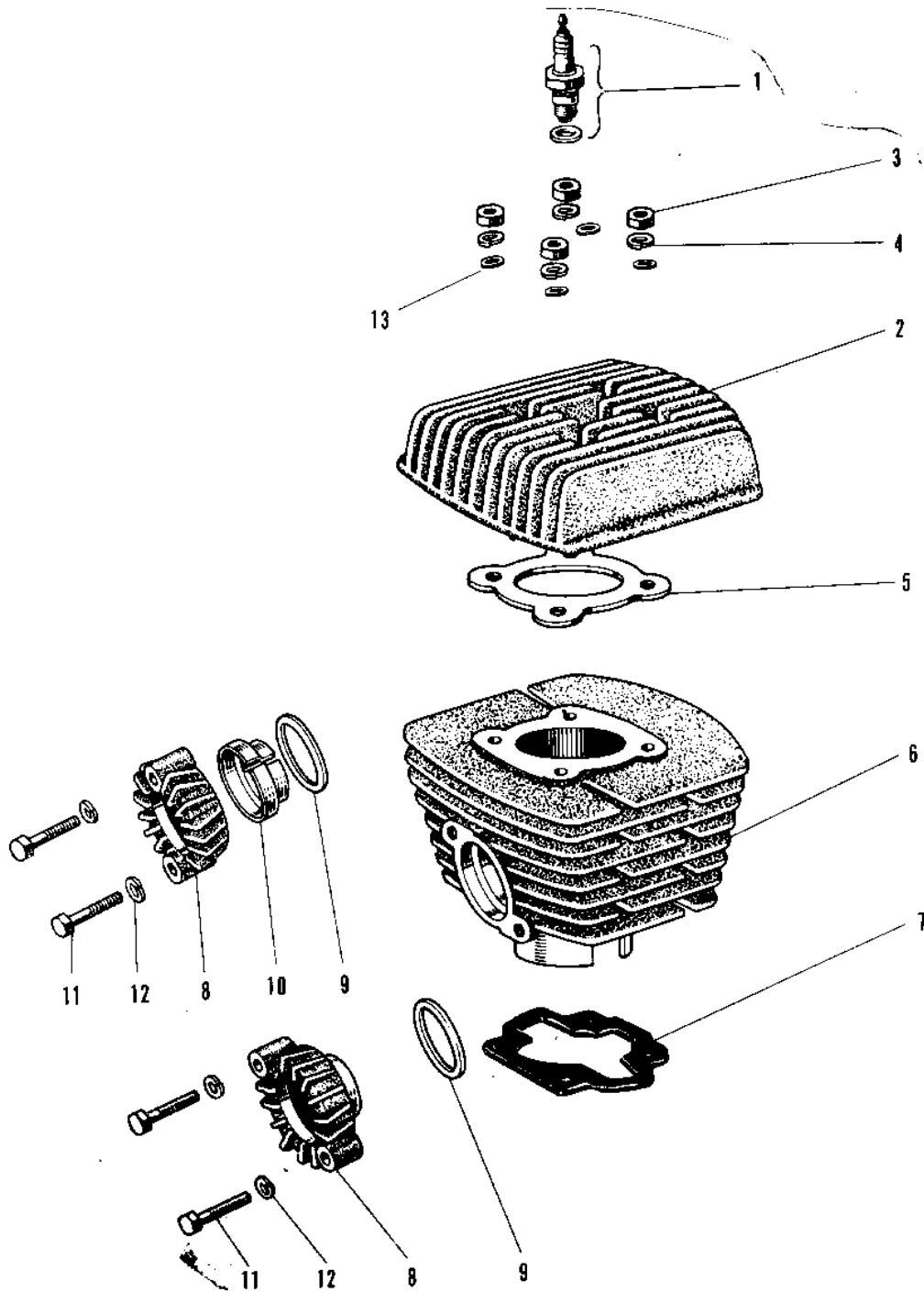


## 1969 PARTS DIAGRAM

CYLINDER HEAD/CYLINDER ('69-'73)

Re



## 1969 PARTS LIST

CYLINDER HEAD/CYLINDER ('69-'73)

ITEM NAME	PART NUMBER	QUANTITY
SPARK PLUGS B8HC (Ref # 1)	92070-010	1
CYLINDER HEAD (Ref # 2)	11001-015	1
NUT,8MM (Ref # 3)	311B0800	1
WASHER SPRING 8MM (Ref # 4)	461F0800	1
GASKET CYLINDER HEAD (Ref # 5)	11004-015	1
GASKET CYLINDER HEAD (Ref # 5)	11004-033	1
CYLINDER (Ref # 6)	11005-025	1
CYLINDER (Ref # 6)	11005-075	1
GASKET CYLINDER BASE (Ref # 7)	11009-009	1
HOLDER EXHAUST PIPE (Ref # 8)	18069-023	1
GASKET,EXHAUST PIPE (Ref # 9)	11009-1992	1
INSERT EXH PIPE HLDR (Ref # 10)	18070-004	1
BOLT-UPSET,6X35 (Ref # 11)	112G0635	1
WASHER SPRING 6MM (Ref # 12)	461F0600	1
WASHER PLAIN 8MM (Ref # 13)	410B0800	1