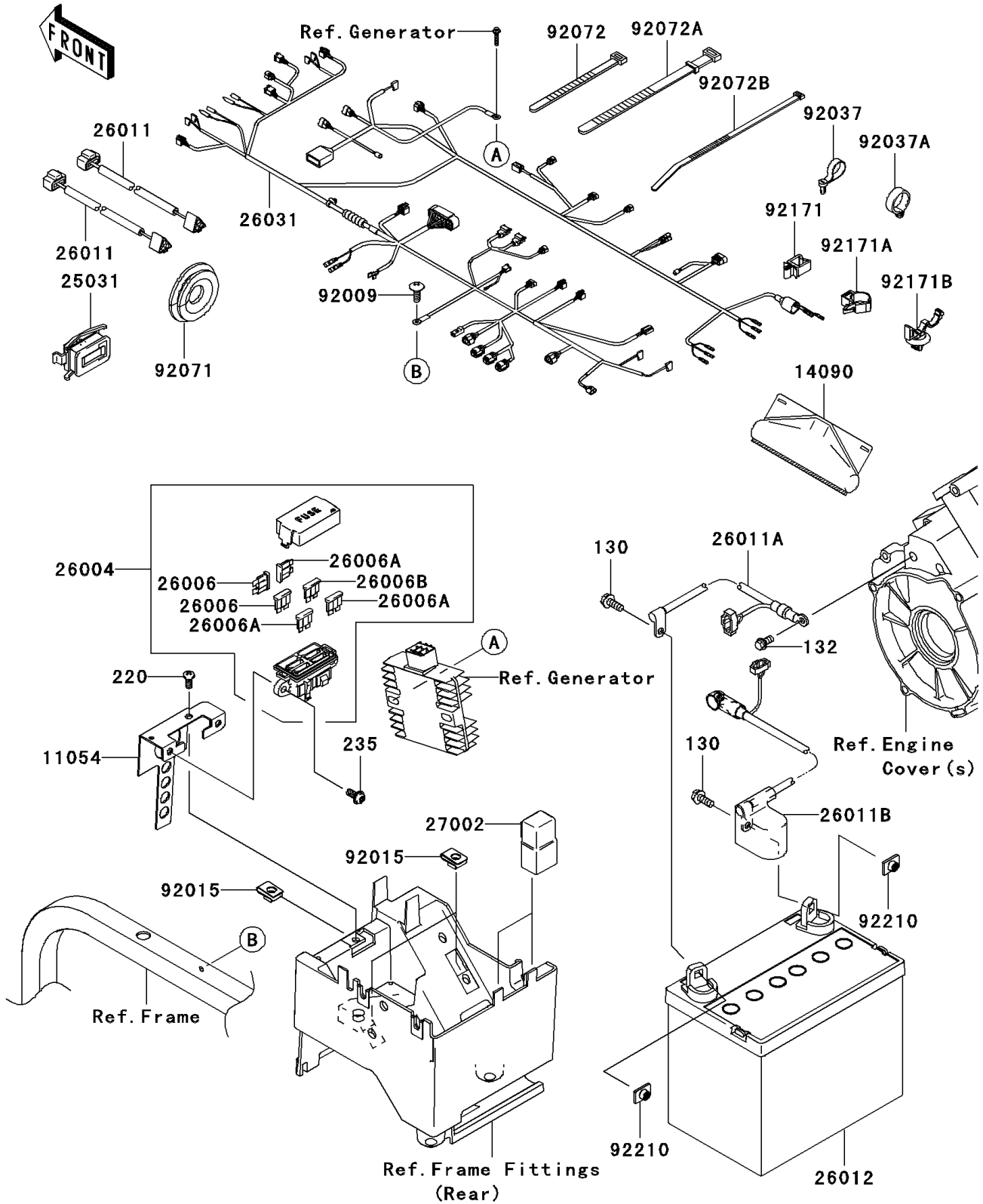


2008 Teryx® 750 4x4 NRA Outdoors™ PARTS DIAGRAM

Chassis Electrical Equipment

F2760



2008 Teryx® 750 4x4 NRA Outdoors™ PARTS LIST

Chassis Electrical Equipment

ITEM NAME	PART NUMBER	QUANTITY
BOLT-FLANGED,6X16 (Ref # 130)	130BA0616	1
BOLT-FLANGED-SMALL,6X12 (Ref # 132)	132BD0612	1
SCREW-PAN-CROSS,6X12 (Ref # 220)	220AA0612	1
SCREW-PAN-WP-CROS,6X14 (Ref # 235)	235AA0614	1
BRACKET,FUSE ASSY (Ref # 11054)	11054-1068	1
COVER,COUPLER (Ref # 14090)	14090-1331	1
METER-ASSY,HOUR (Ref # 25031)	25031-7506	1
FUSE-ASSY (Ref # 26004)	26004-0015	1
FUSE,30A (Ref # 26006)	26006-0004	1
FUSE,10A (Ref # 26006A)	26006-0005	1
FUSE,5A (Ref # 26006B)	26006-1082	1
WIRE-LEAD,HEAD LAMP (Ref # 26011)	26011-0143	1
WIRE-LEAD,BATTERY(-) (Ref # 26011A)	26011-0181	1
WIRE-LEAD,BATTERY(+) (Ref # 26011B)	26011-0190	1
BATTERY (Ref # 26012)	26012-0107	1
HARNESS,MAIN (Ref # 26031)	26031-0664	1
RELAY-ASSY (Ref # 27002)	27002-1088	1
SCREW,TAPPING,6X16 (Ref # 92009)	92009-1166	1
NUT,6MM (Ref # 92015)	92015-1602	1
CLAMP,SPEED,L=58 (Ref # 92037)	92037-1163	1
CLAMP,HOSE (Ref # 92037A)	92037-1827	1
GROMMET (Ref # 92071)	92071-0030	1
BAND,L=123 (Ref # 92072)	92072-030	1
BAND,L=186 (Ref # 92072A)	92072-056	1
BAND,L=292.1 (Ref # 92072B)	92072-3509	1
CLAMP (Ref # 92171)	92171-0290	1
CLAMP,BRAKE HOSE (Ref # 92171A)	92171-0316	1
CLAMP (Ref # 92171B)	92171-0453	1
NUT,PLATE,6MM (Ref # 92210)	92210-1352	1