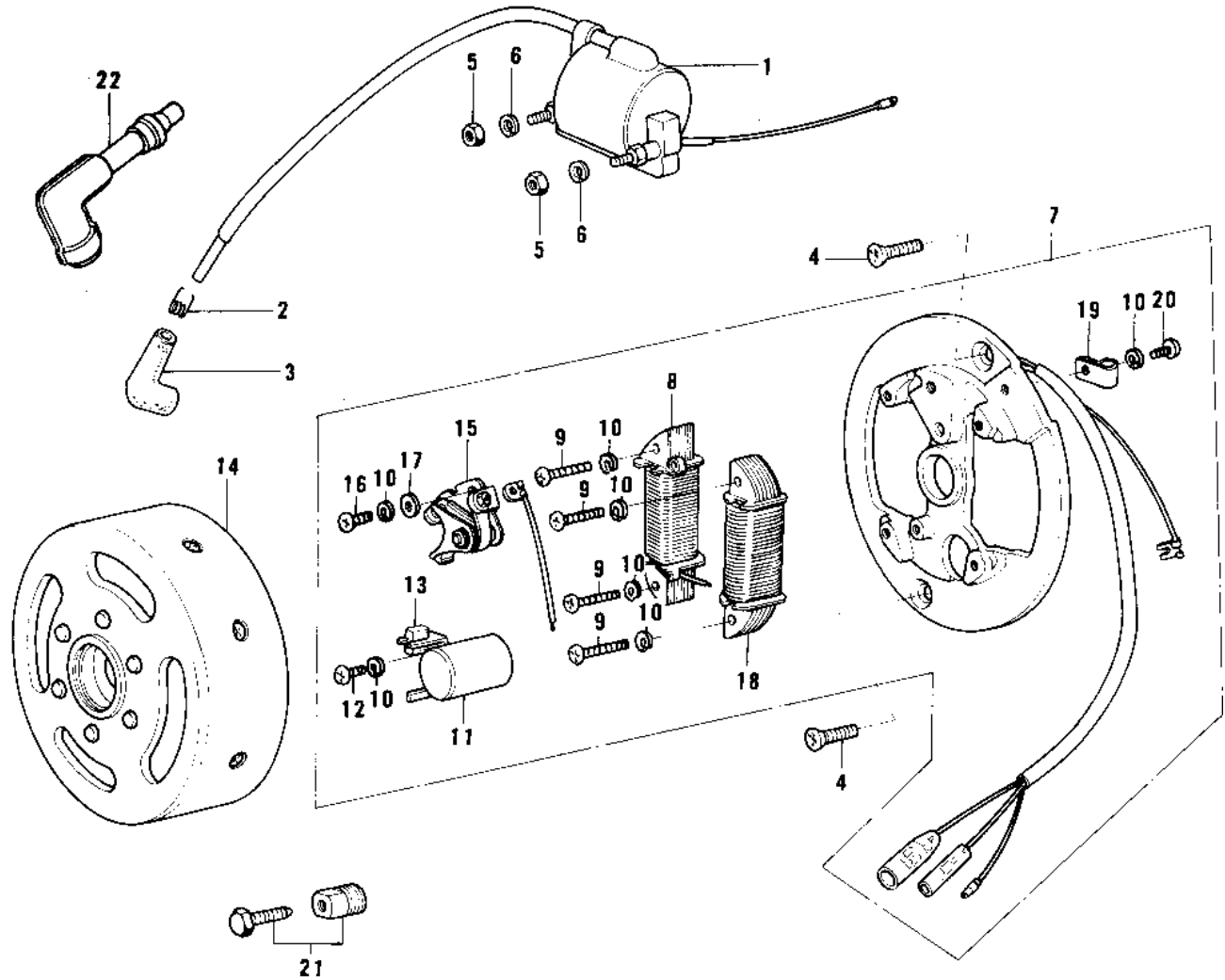


## 1972 PARTS DIAGRAM

IGNITION/GENERATOR ('76-'80)



## 1972 PARTS LIST

IGNITION/GENERATOR ('76-'80)

ITEM NAME	PART NUMBER	QUANTITY
COIL-IGNITION (Ref # 1)	21121-043	1
SPRING-SPARK PLUG CAP (Ref # 2)	92101-001	1
CAP SPARK PLUG (Ref # 3)	21130-009	1
SCREW CNTSNK HD 6X16 (Ref # 4)	221B0616	1
NUT 6MM (Ref # 5)	311B0600	1
WASHER SPRING 6MM (Ref # 6)	461F0600	1
STATOR ASSY. (Ref # 7)	21003-031	1
COIL,PRIMARY (Ref # 8)	21047-026	1
COIL A,PRIMARY IGNITI (Ref # 8)	21049-1002	1
SCREW PAN HEAD 4X25 (Ref # 9)	220B0425	1
WASHER SPRING 4MM (Ref # 10)	461F0400	1
CONDENSER (Ref # 11)	21013-033	1
CONDENSER (Ref # 11)	21013-1001	1
SCREW PAN HEAD 4X10 (Ref # 12)	220B0410	2
FELT OIL (Ref # 13)	21019-005	1
FLYWHEEL (Ref # 14)	21050-021	1
BREAKER,CONTACT (Ref # 15)	21008-024	1
BREAKER ASSY,CONTACT (Ref # 15)	21008-1004	1
WASHER PLAIN 4MM (Ref # 17)	410B0400	1
COIL,LIGHTING (Ref # 18)	21047-027	1
CLAMP,LEAD WIRE (Ref # 19)	21037-005	1
SCREW PAN HEAD 4X6 (Ref # 20)	220B0406	1
57001-252 (Canada) (Ref # 21)	56019-033	1
CAP,SPARK PLUG (Ref # 22)	21160-005	1