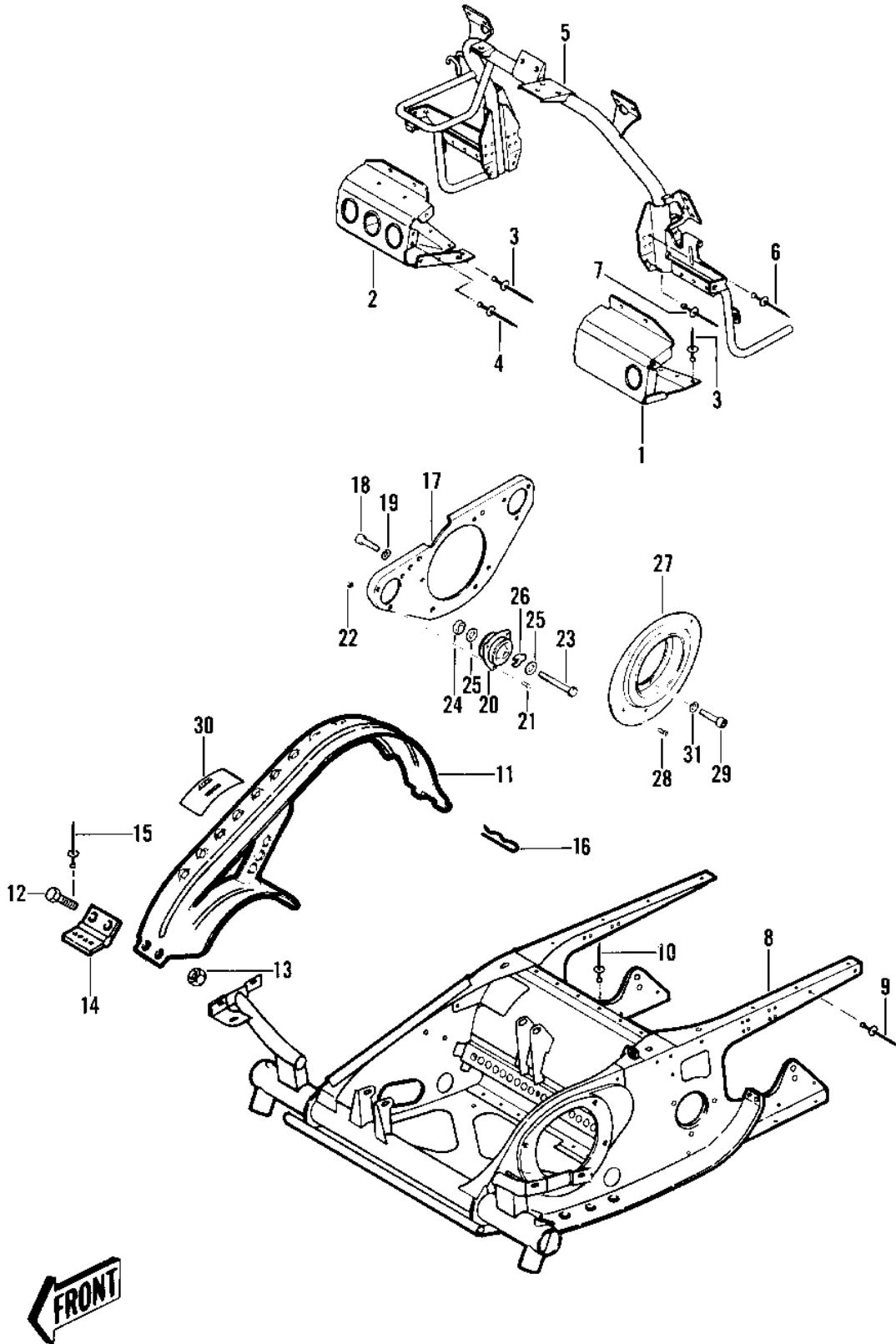


## 1982 Interceptor 550 PARTS DIAGRAM

ENGINE MOUNT/FRONT FRAME



## 1982 Interceptor 550 PARTS LIST

ENGINE MOUNT/FRONT FRAME

ITEM NAME	PART NUMBER	QUANTITY
FOOTREST-LH (Ref # 1)	39048-3502	1
FOOTREST-RH (Ref # 2)	39048-3505	1
RIVET (Ref # 3)	534YW0602	3
RIVET (Ref # 4)	534YW0604	4
MOUNT-UPPER STEERING (Ref # 5)	39084-3515	1
FRAME-COMP (Ref # 8)	32002-3520	1
GUARD-CONVERTER (Ref # 11)	39056-3506	1
BOLT (Ref # 12)	119BA0810	1
NUT (Ref # 13)	350BA0800	2
HINGE-CONVERTER GUARD (Ref # 14)	53009-3530	1
PIN-HAIR (Ref # 16)	39092-3502	1
MOUNT-ENGINE (Ref # 17)	39082-3506	1
BOLT (Ref # 18)	120P0816	2
WASHER SPRING 8MM (Ref # 19)	461F0800	2
DAMPER-ENGINE MOUNT (Ref # 20)	92075-3505	1
BOLT (Ref # 21)	119BA0808	1
BOLT (Ref # 23)	119BA1240	1
NUT (Ref # 24)	350BA1200	1
WASHER (Ref # 25)	412EA1200	1
SHIM-0.08T (Ref # 26)	92025-3506	1
SHIM-0.04T (Ref # 26)	92025-3507	1
MOUNT-ENGINE-TOP (Ref # 27)	39157-3503	1
SCREW (Ref # 28)	92009-3503	1
LABEL-WARN-GUARD (Ref # 30)	56040-3501	1