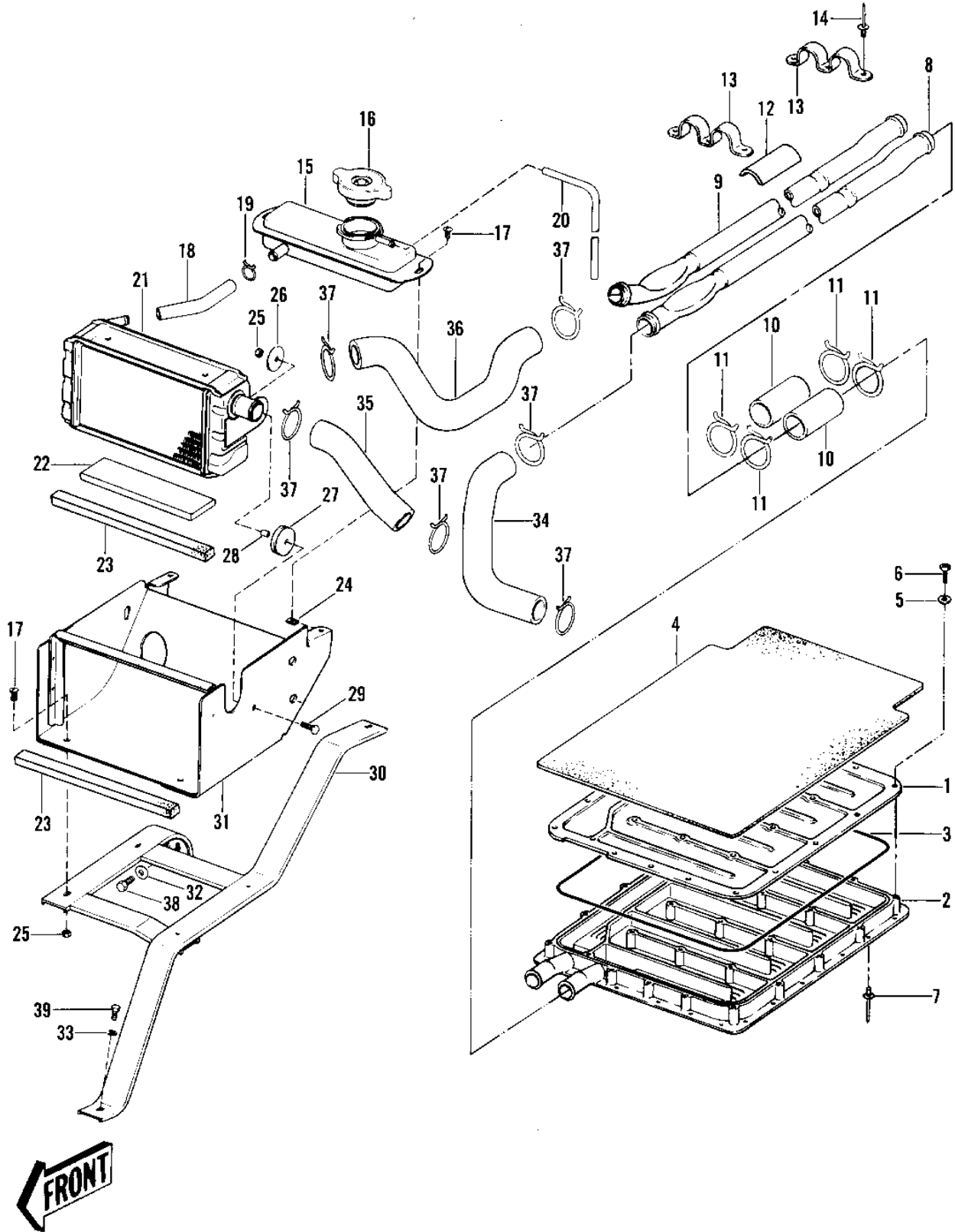


1982 Interceptor 550 PARTS DIAGRAM

RADIATOR/HEAT EXCHANGER



1982 Interceptor 550 PARTS LIST

RADIATOR/HEAT EXCHANGER

ITEM NAME	PART NUMBER	QUANTITY
COVER-HEAT EXCHANGER (Ref # 1)	14025-3516	1
EXCHANGER-HEAT (Ref # 2)	39060-3506	1
RING-O (Ref # 3)	92055-3509	1
PAD-EXCHANGER (Ref # 4)	39156-3558	1
WASHER-SEAL (Ref # 5)	49091-3503	1
SCREW (Ref # 6)	92009-3566	1
RIVET (Ref # 7)	534YW0604	2
PIPE-WATER (Ref # 8)	32032-3569	1
PIPE-WATER (Ref # 9)	32032-3570	1
HOSE-COOLING (Ref # 10)	39062-3506	1
CLAMP-HOSE (Ref # 11)	92037-3503	2
PAD-WATER PIPE (Ref # 12)	39156-3576	1
CLAMP-COOL PIPE (Ref # 13)	92037-3507	1
RESERVOIR-COOLING (Ref # 15)	43078-3501	1
CAP-ASSY-PRESSURE (Ref # 16)	49085-3502	1
SCREW (Ref # 17)	250DA0810	1
HOSE-COOLING (Ref # 18)	39062-3502	1
CLAMP-HOSE (Ref # 19)	92037-3502	1
TUBE-24.00X.25ID (Ref # 20)	92059-3509	1
EXCHANGE-HEAT-RADIATR (Ref # 21)	39060-3503	1
PAD-OIL TANK (Ref # 22)	39156-3502	1
PAD-EXCHANGE (Ref # 23)	39156-3521	1
RETAINER-TINNERMAN (Ref # 24)	14020-3504	1
NUT (Ref # 25)	351BA0800	1
WASHER (Ref # 26)	92022-3516	1
GROMMET (Ref # 27)	92071-3503	1
BUSHING-BRAKE (Ref # 28)	92028-3501	1
BOLT (Ref # 29)	118BA0814	1
BRACE-ASSY (Ref # 30)	35030-3506	1

1982 Interceptor 550 PARTS LIST

RADIATOR/HEAT EXCHANGER

ITEM NAME	PART NUMBER	QUANTITY
DUCT-ASSY (Ref # 31)	39045-3503	1
WASHER (Ref # 32)	412EA0800	1
WASHER (Ref # 33)	412EA1000	1
HOSE-COOLING (Ref # 34)	39062-3513	1
HOSE-COOLING (Ref # 35)	39062-3514	1
HOSE-COOLING (Ref # 36)	39062-3501	1
BOLT-1/4-20 X .62 (Ref # 38)	118BJ0810	1
BOLT-5/16-24 X .62 (Ref # 39)	119BJ1010	1