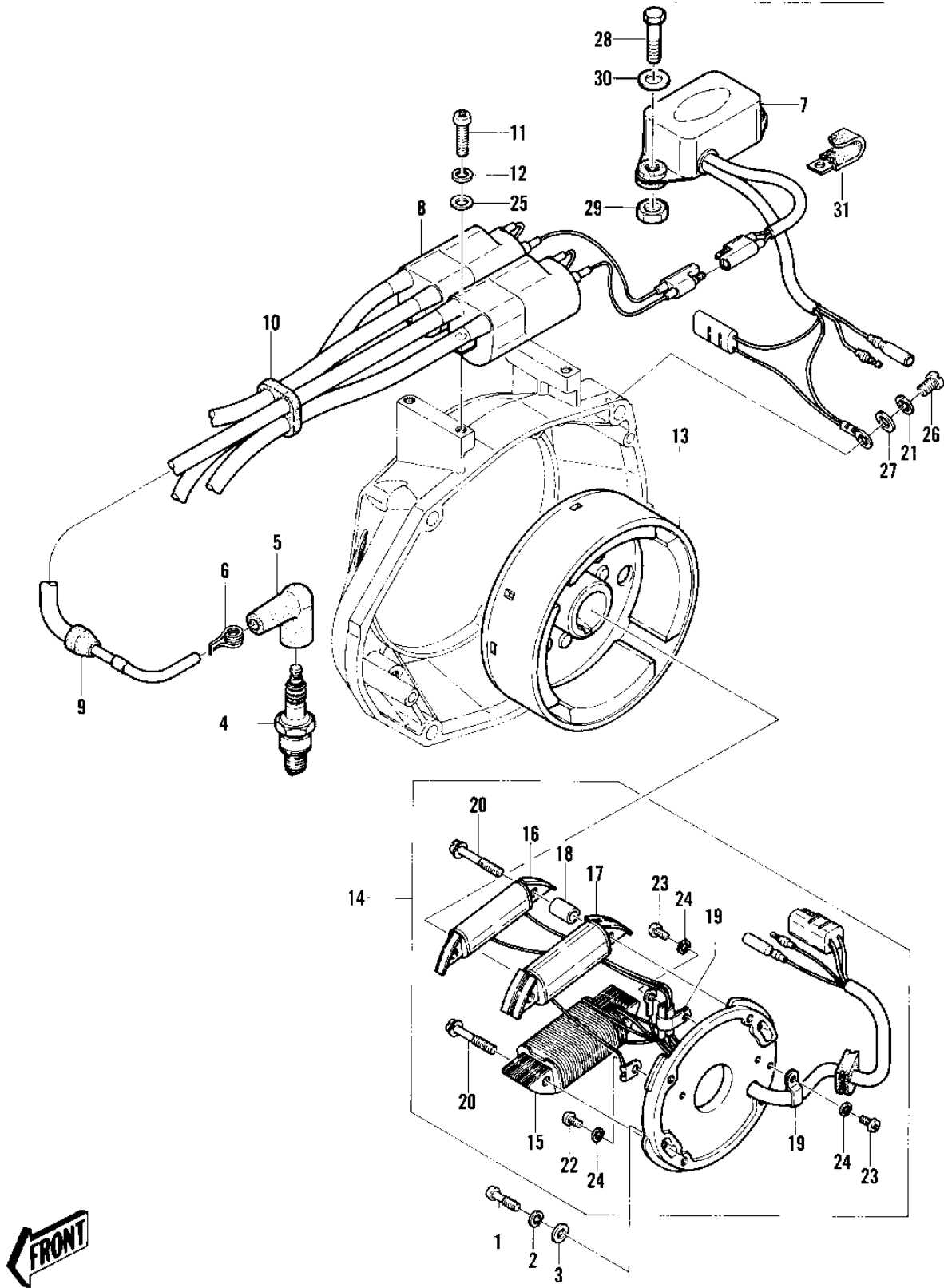


1982 Interceptor 550 PARTS DIAGRAM

IGNITION/GENERATOR



1982 Interceptor 550 PARTS LIST

IGNITION/GENERATOR

ITEM NAME	PART NUMBER	QUANTITY
SCREW PAN HEAD 5X20 (Ref # 1)	220B0520	1
WASHER SPRING 5MM (Ref # 2)	461F0500	1
WASHER (Ref # 3)	92022-544	1
SPARK PLUG BZ9EV (Ref # 4)	BZ9EV	1
CAP-SPARK PLUG (Ref # 5)	21130-3004	1
TERMINAL-SPARK PLUG (Ref # 6)	21169-3006	1
IGNITER (Ref # 7)	21119-3008	1
COIL-IGNITION (Ref # 8)	21121-3008	1
GROMMET (Ref # 9)	92071-517	1
GROMMET (Ref # 10)	92071-3003	1
SCREW PAN HEAD 6X25 (Ref # 11)	220B0625	1
WASHER SPRING 6MM (Ref # 12)	461F0600	2
FLYWHEEL (Ref # 13)	21050-3018	1
STATOR-ASSY (Ref # 14)	21003-3008	1
COIL-LIGHTING (Ref # 15)	21047-3003	1
COIL-PULSING-DUAL IGN (Ref # 16)	59026-3004	1
COIL-EXCITING (Ref # 17)	21049-3005	1
COLLAR-COIL (Ref # 18)	92027-3008	1
CLAMP-STATOR WIRE (Ref # 19)	92037-518	1
SCREW (Ref # 20)	92009-3006	1
SCREW PAN HEAD 4X6 (Ref # 22)	220B0406	1
SCREW PAN HEAD 4X8 (Ref # 23)	220B0408	1
WASHER SPRING 4MM (Ref # 24)	461F0400	1
WASHER PLAIN 6MM (Ref # 25)	411B0600	1
SCREW PAN HEAD 6X10 (Ref # 26)	220B0610	1
WASHER PLAIN 6MM (Ref # 27)	410B0600	1
BOLT (Ref # 28)	118BA0814	1
NUT (Ref # 29)	351BA0800	1
WASHER (Ref # 30)	413EA0800	1

1982 Interceptor 550 PARTS LIST

IGNITION/GENERATOR

ITEM NAME	PART NUMBER	QUANTITY
CLAMP-HARNESS-HEAD (Ref # 31)	92037-3517	1