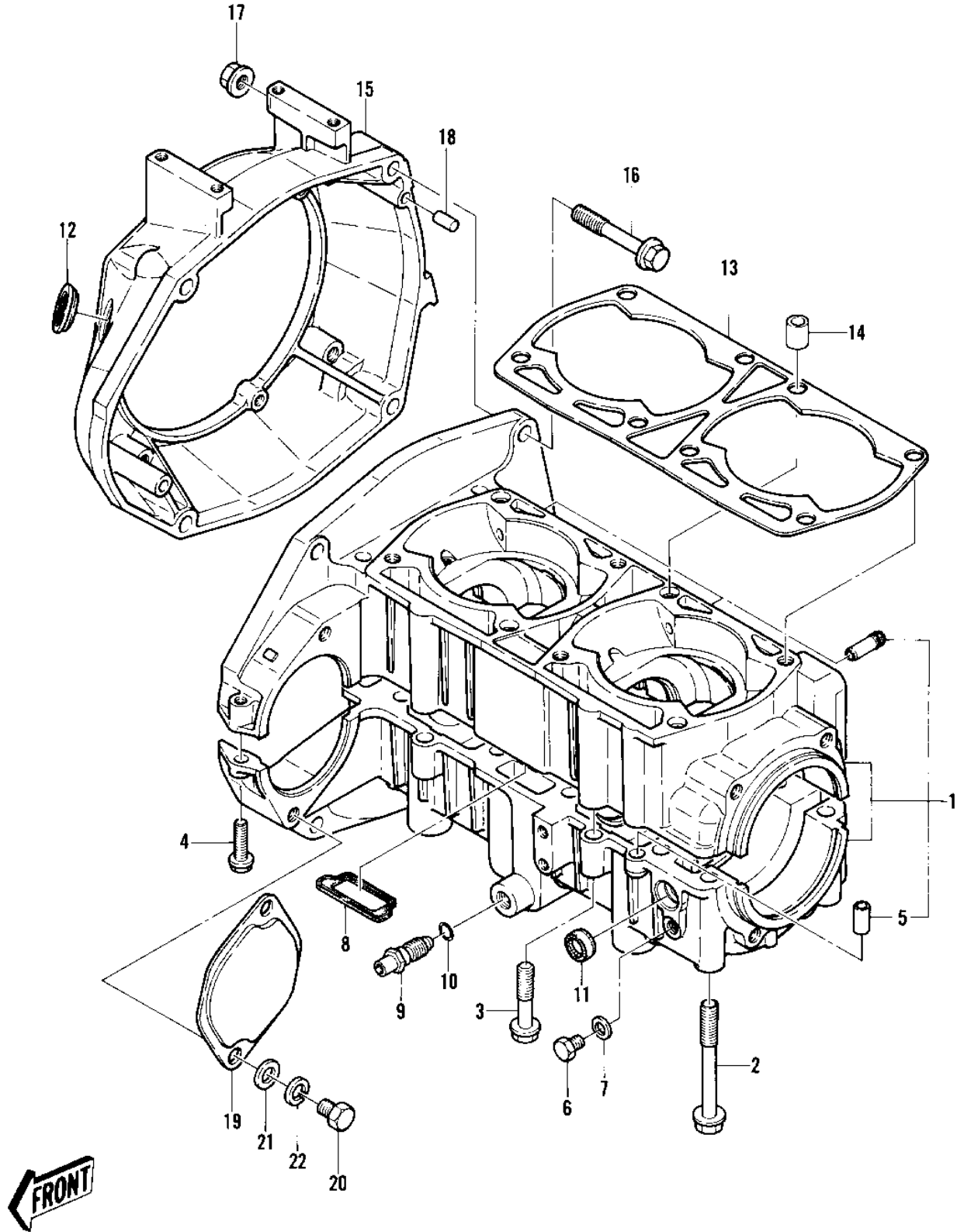


1982 Interceptor 550 PARTS DIAGRAM

CRANKCASE



1982 Interceptor 550 PARTS LIST

CRANKCASE

ITEM NAME	PART NUMBER	QUANTITY
CRANKCASE SET ASSY (Ref # 1)	14001-3024	1
BOLT (Ref # 2)	131P0875	1
BOLT-FLANGED,8X40 (Ref # 3)	130P0840	1
BOLT,FLANGED,6X25 (Ref # 4)	130G0625	1
PIN DOWEL 8X12 (Ref # 5)	551A0812	1
BOLT,6X10 (Ref # 6)	112G0610	1
GASKET-CHECK VALVE (Ref # 7)	92065-534	1
GASKET-CRANKCASE (Ref # 8)	11009-3040	1
PLUG-COOLANT DRAIN (Ref # 9)	92066-3012	1
RING-O,7MM (Ref # 10)	92055-3016	1
GUAGE-OIL (Ref # 11)	52005-3001	1
PLUG-GENERATOR COVER (Ref # 12)	92066-3011	1
GASKET-CYL BASE (Ref # 13)	11009-3047	1
PIN,DOWEL,10X8.2X14 (Ref # 14)	92043-1037	1
COVER-GENERATOR (Ref # 15)	14031-3006	1
BOLT-FLANGED (Ref # 16)	131P0855	1
NUT-FLANGED,8MM (Ref # 17)	92015-3009	1
PIN,DOWEL,6X12 (Ref # 18)	551A0612	1
COVER-HOLE-CRANK (Ref # 19)	14025-3013	1
BOLT SMALL (Ref # 20)	114G0812	1
WASHER PLAIN 8MM (Ref # 21)	410B0800	1
WASHER SPRING 8MM (Ref # 22)	461F0800	1