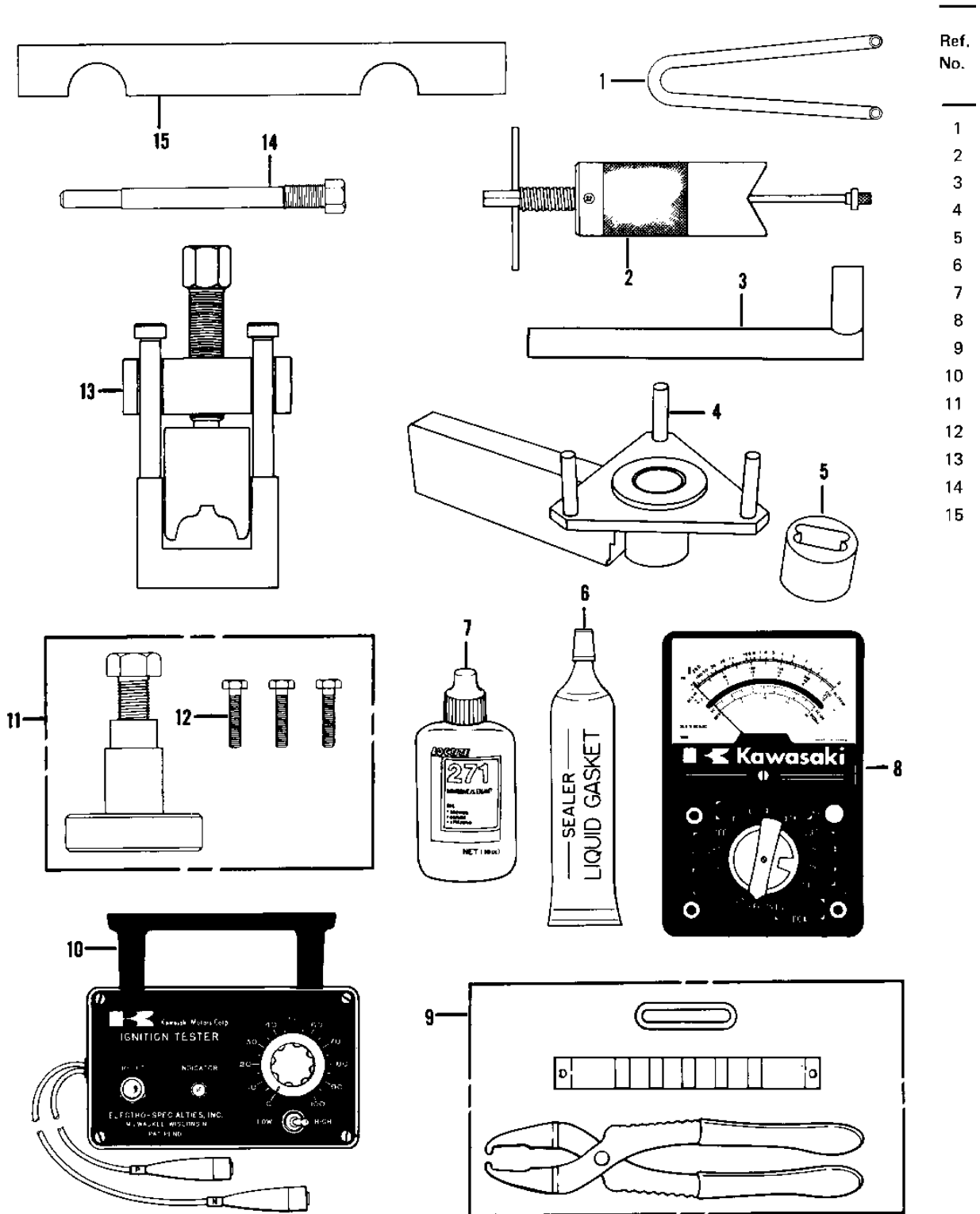


1981 Drifter 340 PARTS DIAGRAM

SPECIAL SERVICE TOOLS

Special Service



1981 Drifter 340 PARTS LIST

SPECIAL SERVICE TOOLS

ITEM NAME	PART NUMBER	QUANTITY
*** N.L.A. *** (Canada) (Ref # 1)	57001-3506	1
57001-910 (Canada) (Ref # 2)	T57001-910	1
TOOL-SPRING ADJUST (Ref # 3)	57001-3507	1
TOOL-SPECIAL,HOLDER (Ref # 4)	57001-3516	1
TOOL-SPECIAL,SOCKET (Ref # 5)	57001-3518	1
LIQUID GASKET (Ref # 6)	92104-002	1
LOCTITE, #271 (Ref # 7)	49075-3612	1
MULTIMETER (Ref # 8)	57001-983	1
COMPRESSOR SET, PISTON RING (Ref # 9)	T57001-130	1
*** N.L.A. *** (Canada) (Ref # 10)	T56019-201	1
*** N.L.A. *** (Canada) (Ref # 11)	57001-3509	1
BOLT (Ref # 12)	110P0620	1
TRACK CLIP TOOL ASSY (Ref # 13)	57001-3519	1
*** N.L.A. *** (Canada) (Ref # 14)	57001-3517	1
TOOL-ALIGNMENT BAR (Ref # 15)	57001-3515	1