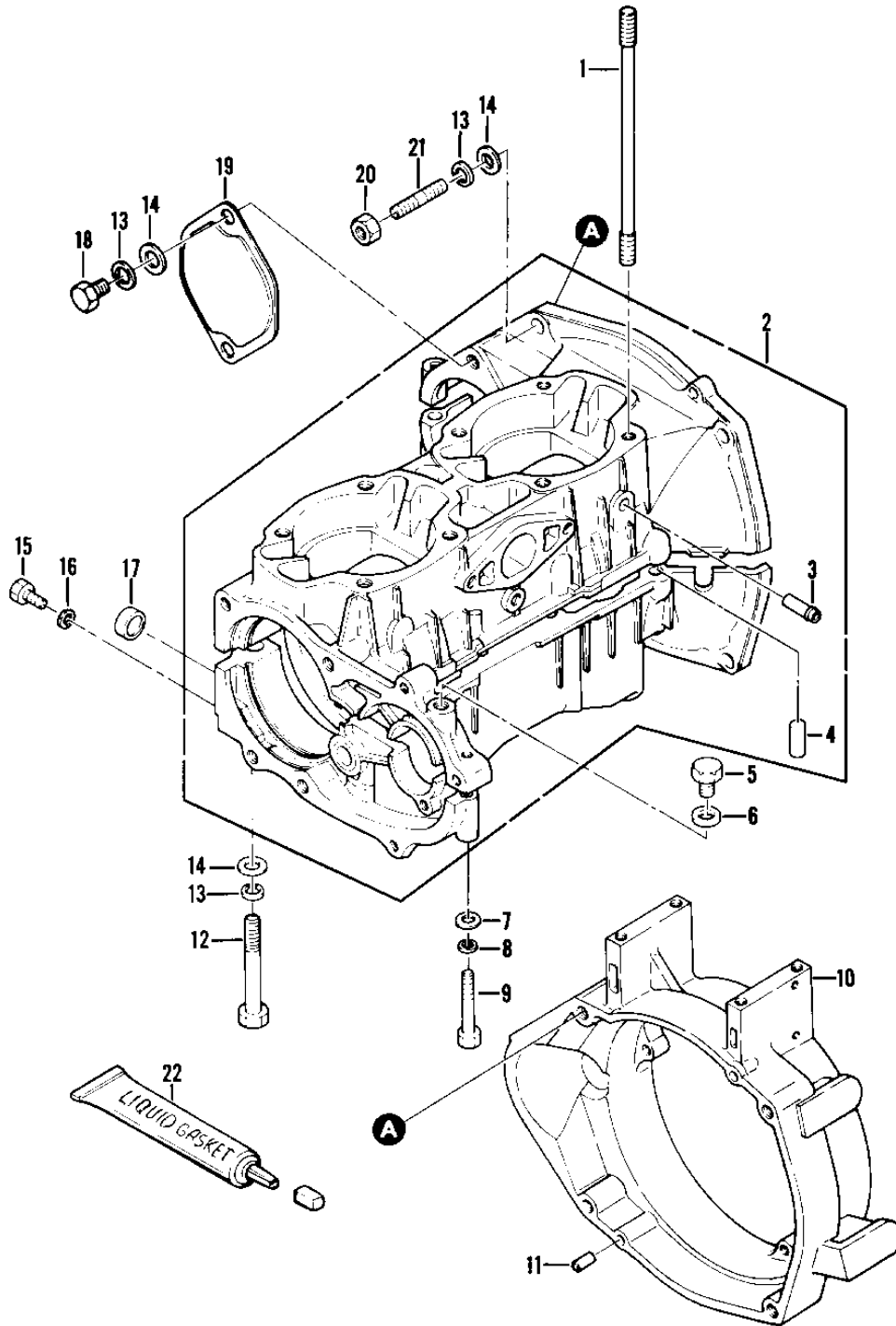


1980 Invader LTD 4/6 PARTS DIAGRAM

CRANKCASE



SS440-B1

1980 Invader LTD 4/6 PARTS LIST

CRANKCASE

ITEM NAME	PART NUMBER	QUANTITY
STUD (Ref # 1)	92004-3002	1
CRANKCASE SET BLK (Ref # 2)	14001-3016	1
.PIPE-PULSER (Ref # 3)	32032-3001	1
.PIN DOWEL 8X16 (Ref # 4)	551A0816	1
BOLT (Ref # 5)	92001-3004	1
GASKET-OIL FILTER (Ref # 6)	11009-3008	1
WASHER PLAIN 6MM (Ref # 7)	410B0600	1
WASHER SPRING 6MM (Ref # 8)	461F0600	1
BOLT-UPSET,6X40 (Ref # 9)	112G0640	1
COVER-MAGNETO BLK (Ref # 10)	14031-3005	1
PIN,DOWEL,6X12 (Ref # 11)	551A0612	1
BOLT-8X63 (Ref # 12)	92001-1397	1
WASHER SPRING 8MM (Ref # 13)	461F0800	1
WASHER PLAIN 8MM (Ref # 14)	410B0800	1
BOLT,6X10 (Ref # 15)	112G0610	1
GASKET-CHECK VALVE (Ref # 16)	92065-534	1
GUAGE-OIL (Ref # 17)	52005-3001	1
BOLT SMALL (Ref # 18)	114G0812	1
COVER-HOLE-CRANK (Ref # 19)	14025-3013	1
NUT,8MM (Ref # 20)	311B0800	1
STUD,8X25 (Ref # 21)	92004-1008	1
LIQUID GASKET (Ref # 22)	92104-002	1