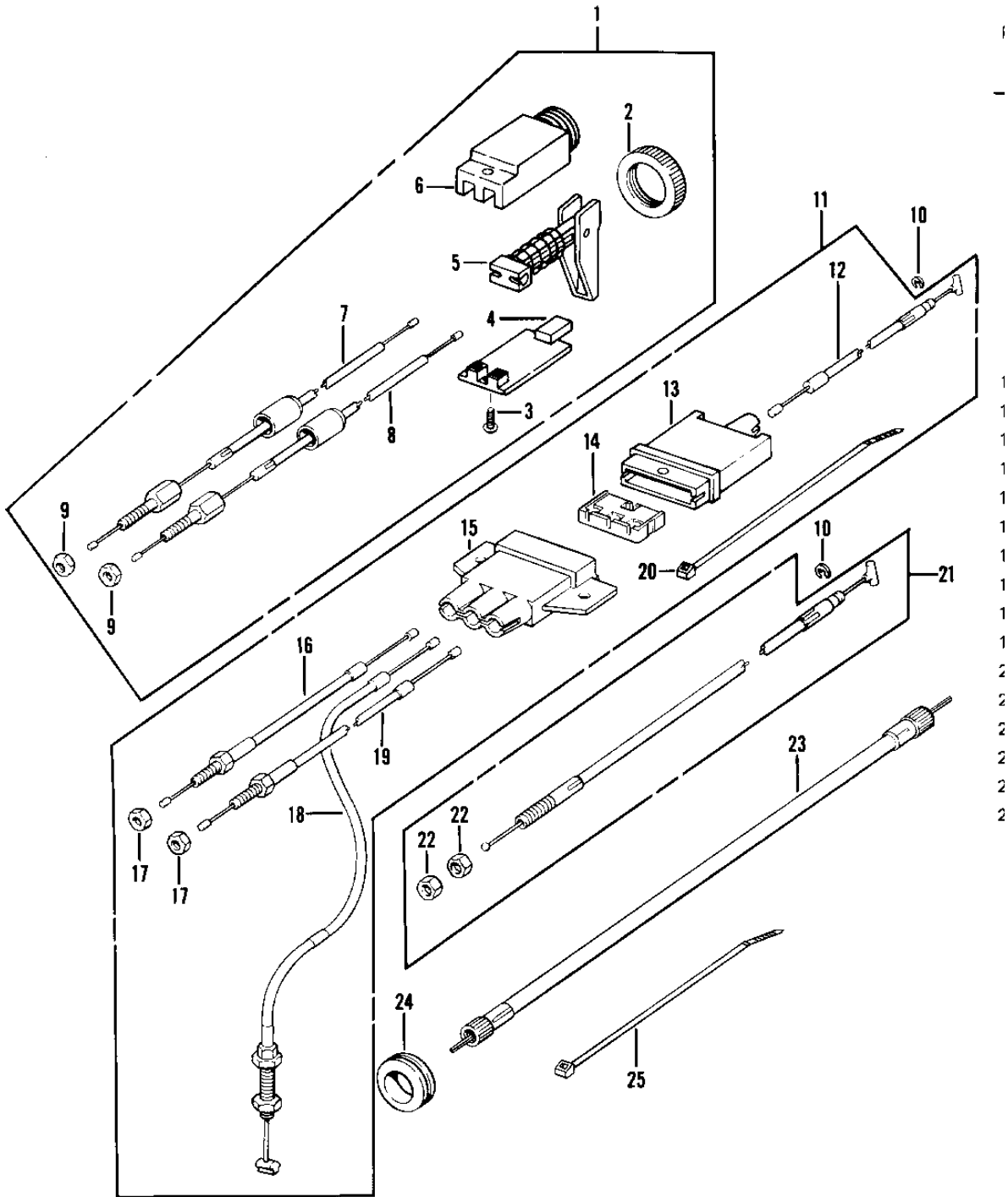


## 1980 Invader LTD 4/6 PARTS DIAGRAM

CABLES



SS440-B1

## 1980 Invader LTD 4/6 PARTS LIST

### CABLES

| ITEM NAME                      | PART NUMBER | QUANTITY |
|--------------------------------|-------------|----------|
| CABLE-ASSY-PRIMING (Ref # 1)   | 39030-3501  | 1        |
| .NUT (Ref # 2)                 | 92015-3508  | 1        |
| .HOUSING-ASSY-PRIMER (Ref # 3) | 13227-3540  | 4        |
| .CABLE-PRIMING (Ref # 7)       | 39030-3503  | 1        |
| .CABLE-PRIMING (Ref # 8)       | 39030-3502  | 1        |
| .NUT (Ref # 9)                 | 92015-3512  | 2        |
| RING-SNAP (Ref # 10)           | 92033-3502  | 1        |
| CABLE-ASSY-THROTTLE (Ref # 11) | 54012-3525  | 1        |
| CABLE-THROTTLE (Ref # 12)      | 54012-3512  | 1        |
| HOUSING-ASSY-CABLE (Ref # 13)  | 13227-3541  | 3        |
| CABLE-THROTTLE (Ref # 16)      | 54012-3519  | 1        |
| CABLE-THROTTLE (Ref # 18)      | 54012-3508  | 1        |
| CABLE-THROTTLE (Ref # 19)      | 54012-3520  | 1        |
| BAND (Ref # 20)                | 92072-3509  | 1        |
| CABLE-BRAKE (Ref # 21)         | 54005-3501  | 1        |
| NUT (Ref # 22)                 | 344BA1000   | 1        |
| CABLE-SPEEDOMETER (Ref # 23)   | 54001-3504  | 1        |
| GROMMET (Ref # 24)             | 92071-3502  | 1        |
| BAND (Ref # 25)                | 92072-3501  | 1        |