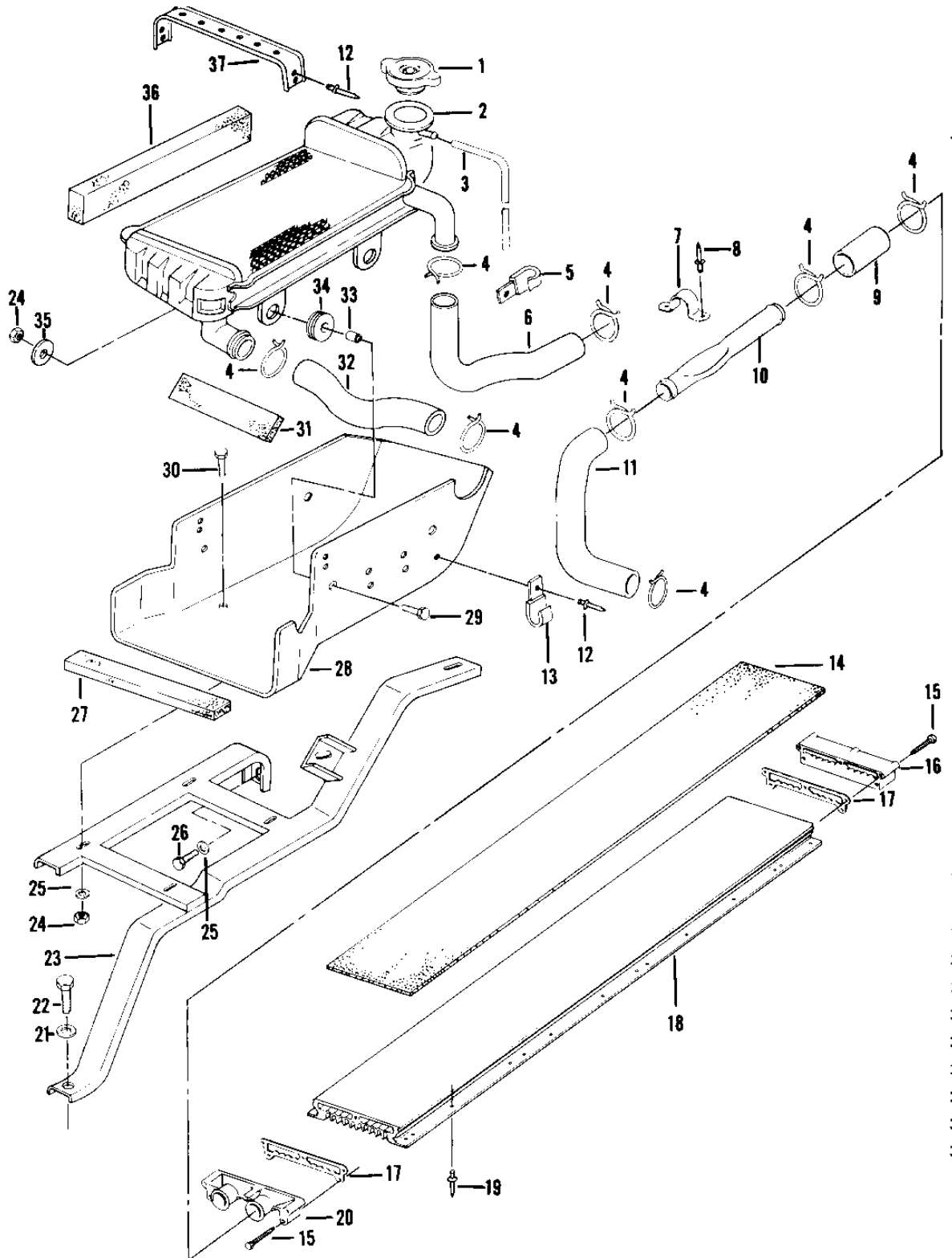


1980 Invader LTD 4/6 PARTS DIAGRAM

CHASSIS COOLANT SYSTEM



SS440-B1

1980 Invader LTD 4/6 PARTS LIST

CHASSIS COOLANT SYSTEM

ITEM NAME	PART NUMBER	QUANTITY
CAP-ASSY-PRESSURE (Ref # 1)	49085-3502	1
EXCHANGE-HEAT-RADIATR (Ref # 2)	39060-3505	1
TUBE-24.00X.25ID (Ref # 3)	92059-3509	1
CLAMP-HOSE (Ref # 4)	92037-3503	1
CLAMP-HARNESS-HEAD (Ref # 5)	92037-3511	1
HOSE-COOLING (Ref # 6)	39062-3508	1
CLAMP-PIPE-WATER (Ref # 7)	92037-3514	1
RIVET (Ref # 8)	534YY0604	1
HOSE-COOLING (Ref # 9)	39062-3506	1
PIPE-WATER (Ref # 10)	32032-3524	1
HOSE-COOLING (Ref # 11)	39062-3503	1
RIVET (Ref # 12)	534XX0602	1
CLAMP-HARNESS-HEADLMP (Ref # 13)	92037-3518	1
PAD-HEAT EXCHANGER (Ref # 14)	39156-3528	1
SCREW (Ref # 15)	92009-3501	1
CAP-CLOSE END (Ref # 16)	39031-3502	1
GASKET-EXHANGER (Ref # 17)	11009-3501	1
EXCHANGER-HEAT (Ref # 18)	39060-3504	1
RIVET (Ref # 19)	534YW0604	1
CAP-OPEN END (Ref # 20)	39031-3501	1
WASHER (Ref # 21)	412EA1000	1
BOLT (Ref # 22)	92001-3513	1
BRACE-RADIATOR (Ref # 23)	35030-3503	1
NUT (Ref # 24)	350BA0800	1
WASHER (Ref # 25)	412EA0800	1
BOLT (Ref # 26)	92001-3514	1
PAD-RADIATOR DUCT (Ref # 27)	39156-3534	1
DUCT-RADIATOR (Ref # 28)	39045-3502	1
BOLT (Ref # 29)	119BA0816	1

1980 Invader LTD 4/6 PARTS LIST

CHASSIS COOLANT SYSTEM

ITEM NAME	PART NUMBER	QUANTITY
BOLT (Ref # 30)	119BA0810	1
PAD-RADIATOR (Ref # 31)	39156-3540	1
HOSE-COOLING (Ref # 32)	39062-3507	1
BUSHING-BRAKE (Ref # 33)	92028-3501	1
GROMMET (Ref # 34)	92071-3503	1
WASHER (Ref # 35)	92022-3516	1
PAD-RADIATOR (Ref # 36)	39156-3539	1
BRACE-DUCT (Ref # 37)	35009-3512	1