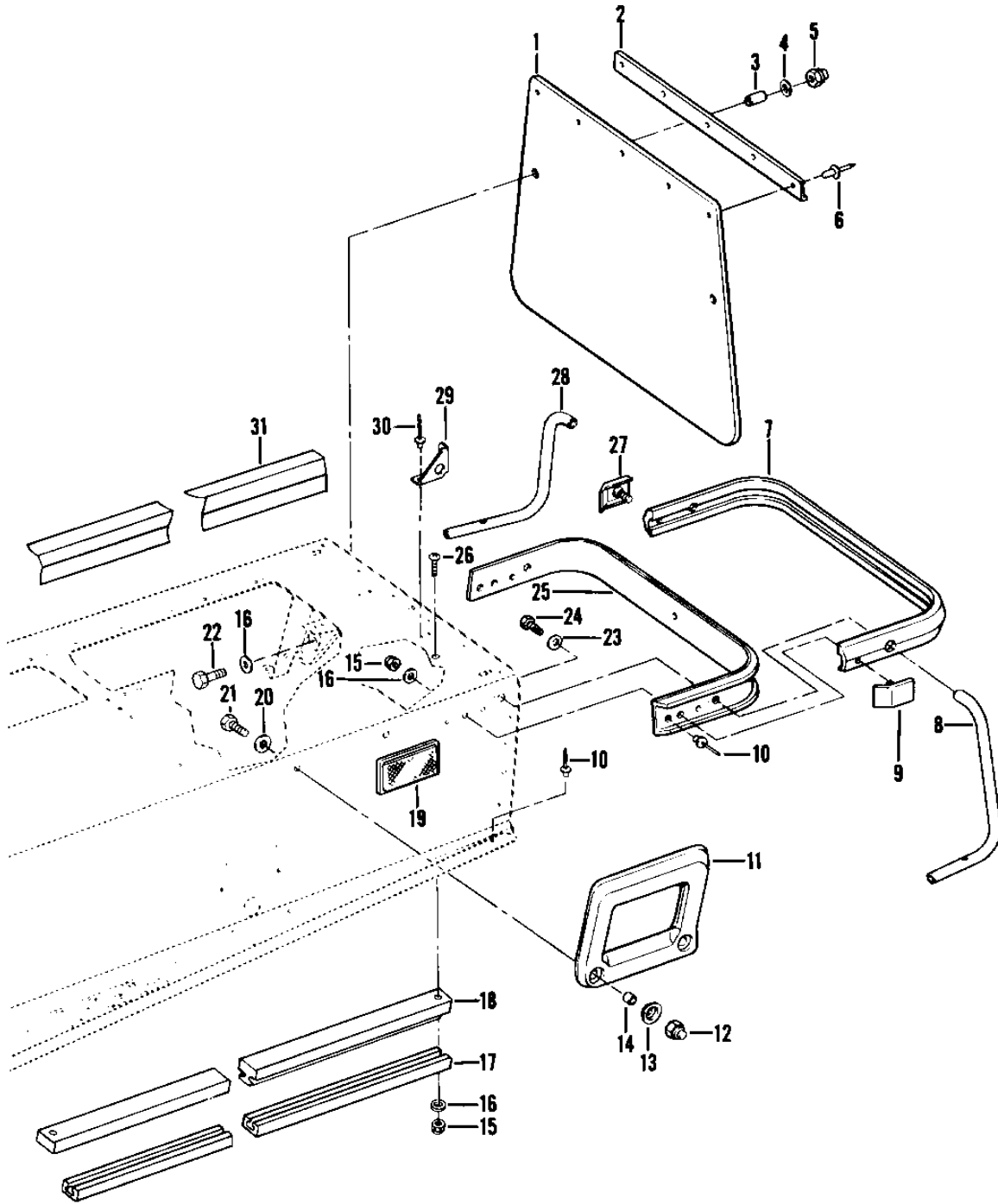


1980 Invader LTD 4/6 PARTS DIAGRAM

CHASSIS 2 OF 3



SS440-B1

1980 Invader LTD 4/6 PARTS LIST

CHASSIS 2 OF 3

ITEM NAME	PART NUMBER	QUANTITY
FLAP-SNOW (Ref # 1)	39047-3501	1
PLATE-SNOW FLAP (Ref # 2)	13169-3504	1
SPACER (Ref # 3)	92026-3503	1
WASHER (Ref # 4)	92022-3533	1
NUT (Ref # 5)	92015-3506	1
RIVET (Ref # 6)	535XX0608	1
TRIM-RUBBER INSERT (Ref # 7)	53044-3502	1
STAY-REAR-LH (Ref # 8)	35011-3502	1
CLAMP-BUMPER TRIM LH (Ref # 9)	92037-3505	1
RIVET (Ref # 10)	534YW0604	1
GRIP-PASSENGER SIDE (Ref # 11)	39053-3502	1
NUT (Ref # 12)	92015-3507	1
WASHER (Ref # 13)	92022-3505	1
SPACER (Ref # 14)	92026-3502	1
NUT (Ref # 15)	350BA0800	1
WASHER (Ref # 16)	412EA0800	1
STRIP-RAIL-WEAR (Ref # 17)	39139-3507	1
STRIP-RUB (Ref # 18)	39138-3506	1
REFLECTOR-ASSY-RED (Ref # 19)	28001-3502	1
WASHER (Ref # 20)	413EA1000	1
SCREW (Ref # 21)	92009-3547	1
BOLT (Ref # 22)	118AA0824	1
WASHER (Ref # 23)	412EA1200	1
BOLT (Ref # 24)	92001-3509	1
BUMPER-REAR (Ref # 25)	39028-3502	1
SCREW (Ref # 26)	259DA0816	1
CLAMP-BUMPER TRIM RH (Ref # 27)	92037-3504	1
STAY-REAR-RH (Ref # 28)	35011-3501	1
BRACKET-TAIL LAMP (Ref # 29)	11034-3512	1

1980 Invader LTD 4/6 PARTS LIST

CHASSIS 2 OF 3

ITEM NAME	PART NUMBER	QUANTITY
RIVET (Ref # 30)	92039-3526	1
PATTERN-CHASSIS STRIP (Ref # 31)	56027-3550	1