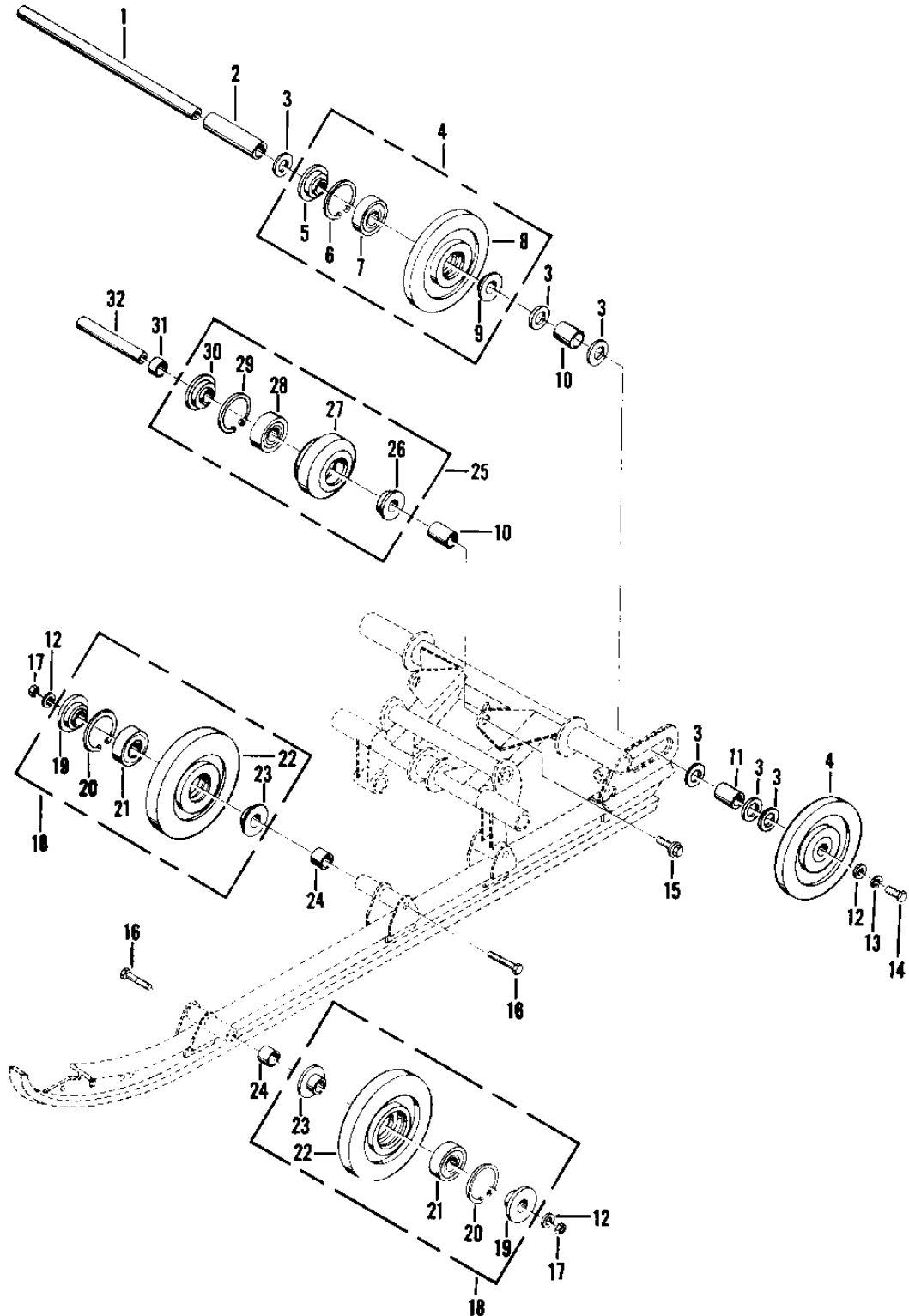


1980 Invader LTD 4/6 PARTS DIAGRAM

SUSPENSION 2 OF 2



SS440-B1

1980 Invader LTD 4/6 PARTS LIST

SUSPENSION 2 OF 2

ITEM NAME	PART NUMBER	QUANTITY
AXLE-REAR (Ref # 1)	39004-3501	1
SPACER-12"-CUT TO FIT (Ref # 2)	92026-3576	5
WASHER (Ref # 3)	92022-3508	1
WHEEL-ASSY-IDLER (Ref # 4)	41073-3512	1
SPACER (Ref # 5)	92026-3508	3
RING-SNAP (Ref # 6)	92033-3504	3
BEARING-BALL (Ref # 7)	92045-3502	3
WHEEL-IDLER (Ref # 8)	39153-3515	1
SPACER (Ref # 9)	92026-3509	3
WASHER (Ref # 12)	413EA1200	1
WASHER (Ref # 13)	465FA1200	1
BOLT (Ref # 14)	118BA1216	1
BOLT (Ref # 15)	92001-3508	1
BOLT (Ref # 16)	119BA1260	1
NUT (Ref # 17)	350BA1200	1
WHEEL-ASSY (Ref # 18)	41073-3507	1
.WHEEL-IDLER (Ref # 22)	39153-3508	1
WHEEL-ASSY-IDLER (Ref # 25)	41073-3509	1
.WHEEL-IDLER (Ref # 27)	39153-3512	1
SHAFT-IDLER (Ref # 32)	39115-3502	1