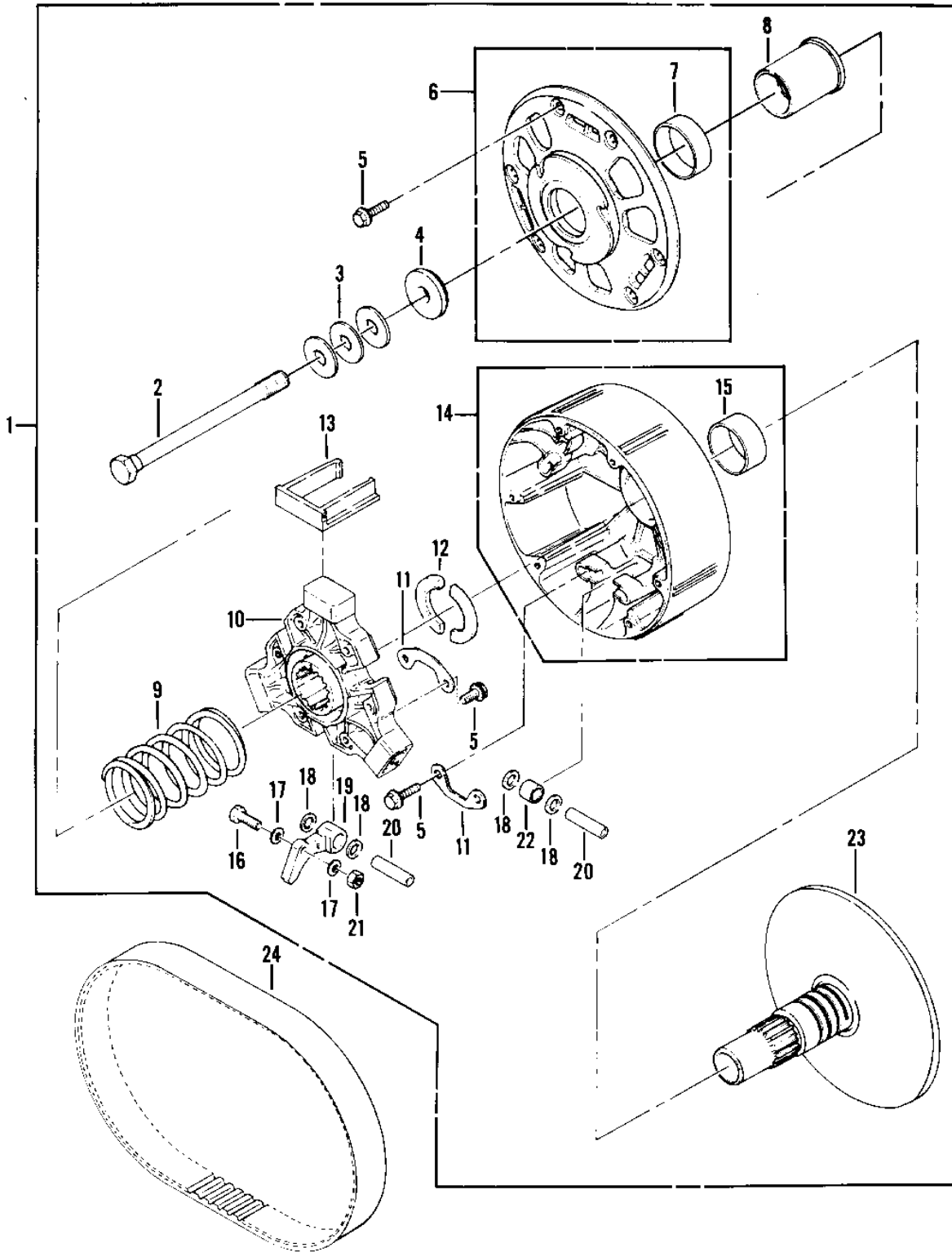


## 1980 Invader LTD 4/6 PARTS DIAGRAM

DRIVE CONVERTER



**SS440-B1**

## 1980 Invader LTD 4/6 PARTS LIST

### DRIVE CONVERTER

ITEM NAME	PART NUMBER	QUANTITY
CONERTER-DRIVE BLK (Ref # 1)	49093-3011	1
.BOLT (Ref # 2)	92001-3013	1
.WASHER (Ref # 3)	92022-3015	1
.WASHER (Ref # 4)	92022-3017	1
.BOLT (Ref # 5)	92001-3020	1
.COVER-MOVABLE SHEAVE (Ref # 6)	14025-3001	1
..BUSHING-CONVER COVER (Ref # 7)	92028-3008	1
.SLEEVE-CONVERTER COVR (Ref # 8)	42036-3004	1
.SPRING-BLACK-DRIVE (Ref # 9)	92081-3002	1
SPRING-PINK-DRIVE (Ref # 9)	92081-3004	1
SPRING-RED-DRIVE (Ref # 9)	92081-3005	1
SPRING-YELL-DRIVE (Ref # 9)	92081-3001	1
SPRING-BLUE-DRIVE (Ref # 9)	92081-3006	1
SPRING-WHT-DRIVE (Ref # 9)	92081-3011	1
.SPIDER (Ref # 10)	49050-3003	1
.WASHER (Ref # 11)	92022-3016	1
.WASHER (Ref # 12)	92022-3001	1
.GUIDE (Ref # 13)	13070-1185	1
.SHEAVE-MOVABLE-DRIVE (Ref # 14)	59301-3001	1
..BUSHING-MOVABLE SHEAV (Ref # 15)	92028-3001	1
.BOLT, STEEL, 6 X 20 MM (Ref # 16)	110G0620	1
BOLT, STEEL, 6 X 16MM (Ref # 16)	92001-3015	1
BOLT, STEEL, 6 X 28MM (Ref # 16)	110G0628	1
WEIGHT-G=1.00 (Ref # 17)	13042-3002	1
WEIGHT-G= .05 (Ref # 17)	13042-3001	1
.SPACER (Ref # 18)	92026-3001	1
.WEIGHT-RAMP (Ref # 19)	39152-3007	2
WEIGHT-RAMP (Ref # 19)	39152-3005	2
.PIN-MOVABLE SHEAVE (Ref # 20)	92043-3001	1

## 1980 Invader LTD 4/6 PARTS LIST

DRIVE CONVERTER

ITEM NAME	PART NUMBER	QUANTITY
.NUT (Ref # 21)	92019-008	1
.ROLLER-ASSY (Ref # 22)	92122-3011	1
.SHEAVE-FIXED-DRIVE (Ref # 23)	59302-3001	1
BELT-DRIVE (Ref # 24)	59011-3502	1