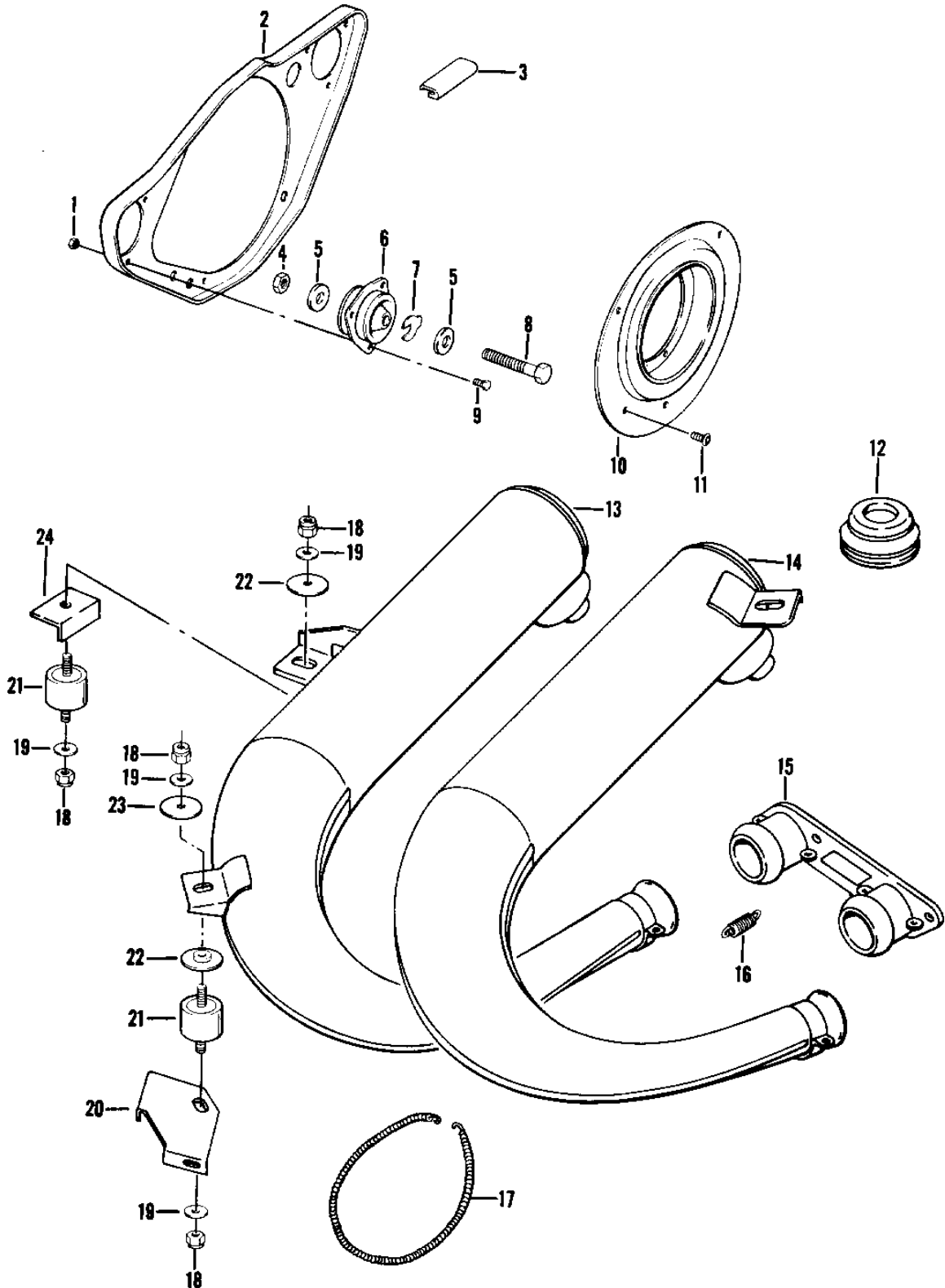


## 1980 Invader LTD 4/6 PARTS DIAGRAM

ENGINE MOUNT & EXHAUST



## 1980 Invader LTD 4/6 PARTS LIST

### ENGINE MOUNT & EXHAUST

ITEM NAME	PART NUMBER	QUANTITY
NUT (Ref # 1)	350BA0800	1
MOUNT-ENGINE (Ref # 2)	39082-3504	1
PAD-FUEL TANK (Ref # 3)	39156-3506	1
NUT (Ref # 4)	350BA1200	1
WASHER (Ref # 5)	412EA1200	1
DAMPER-ENGINE MOUNT (Ref # 6)	92075-3505	1
SHIM-0.08T (Ref # 7)	92025-3506	1
SHIM-0.04T (Ref # 7)	92025-3507	1
BOLT (Ref # 8)	119BA1240	1
BOLT (Ref # 9)	119BA0808	1
MOUNT-ENGINE-TOP (Ref # 10)	39157-3502	1
SCREW (Ref # 11)	92009-3503	1
BOOT-EXHAUST (Ref # 12)	49006-3504	1
MUFFLER-COMP-TUNED RH (Ref # 13)	39083-3507	1
MUFFLER-COMP-TUNED LH (Ref # 14)	39083-3508	1
MANIFOLD-COMP-EXHAUST (Ref # 15)	39178-3508	1
SPRING-EXHAUST (Ref # 16)	92081-3502	1
SPRING-MUFFLER (Ref # 17)	92081-3534	1
NUT (Ref # 18)	351BA1000	1
NUT (Ref # 18)	92015-3530	2
WASHER (Ref # 19)	412EA1000	1
BRACKET-MUFFLER (Ref # 20)	32069-3512	1
DAMPER-ENGINE MOUNT (Ref # 21)	92075-3506	1
WASHER (Ref # 22)	92022-3520	1
WASHER (Ref # 23)	92022-3518	1
INSULATOR-MUFFLER MNT (Ref # 24)	16073-3501	1