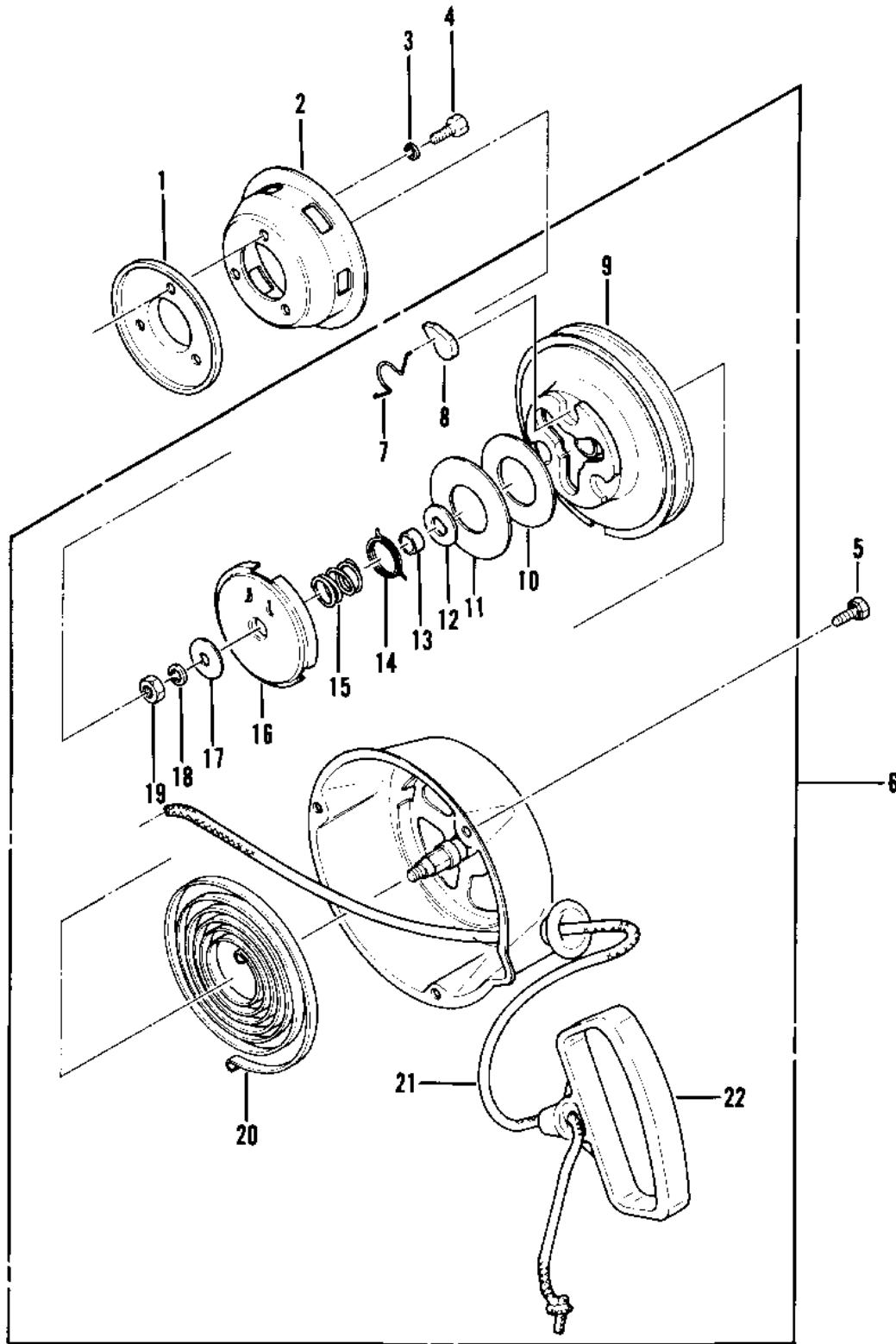


1980 Invader 340 PARTS DIAGRAM

RECOIL STARTER



Ref.
No.

- 1
- 2
- 3
- 4
- 5
- 6
- 7
- 8
- 9
- 10
- 11
- 12
- 13
- 14
- 15
- 16
- 17
- 18
- 19
- 20
- 21
- 22

1980 Invader 340 PARTS LIST

RECOIL STARTER

ITEM NAME	PART NUMBER	QUANTITY
FLANGE-STARTER PULLEY (Ref # 1)	41086-504	1
PULLEY-STARTING (Ref # 2)	49080-3001	1
WASHER SPRING 6MM (Ref # 3)	461F0600	1
BOLT-UPSET (Ref # 4)	112G0618	1
BOLT (Ref # 5)	92001-3023	1
RECOIL ASSY (Ref # 6)	49088-3005-9H	1
.SPRING-PAWL (Ref # 7)	92081-503	1
.PAWL-RECOIL (Ref # 8)	13069-504	1
.REEL-RECOIL (Ref # 9)	59101-506	1
.PLATE-B RECOIL SLIDE (Ref # 10)	13169-3001	1
.PLATE-A RECOIL SLIDE (Ref # 11)	13169-3002	1
.WASHER (Ref # 12)	92095-503	1
.BUSHING-RECOIL START (Ref # 13)	92028-3007	1
.SPRING-RETURN (Ref # 14)	92081-512	1
.UNAVAILABLE IN PRICE BOOK (Ref # 15)	92081 508	1
.PLATE,RECOIL FRICTION (Ref # 16)	13169-3003	1
.UNAVAILABLE IN PRICE BOOK (Ref # 17)	92022 564	1
.WASHER-SPRING (Ref # 18)	92029-503	1
.UNAVAILABLE IN PRICE BOOK (Ref # 19)	92015 513	1
.UNAVAILABLE IN PRICE BOOK (Ref # 20)	92081 517	1
.ROPE-RECOIL (Ref # 21)	59106-505	1
.HANDLE-RECOIL (Ref # 22)	46075-3002	1