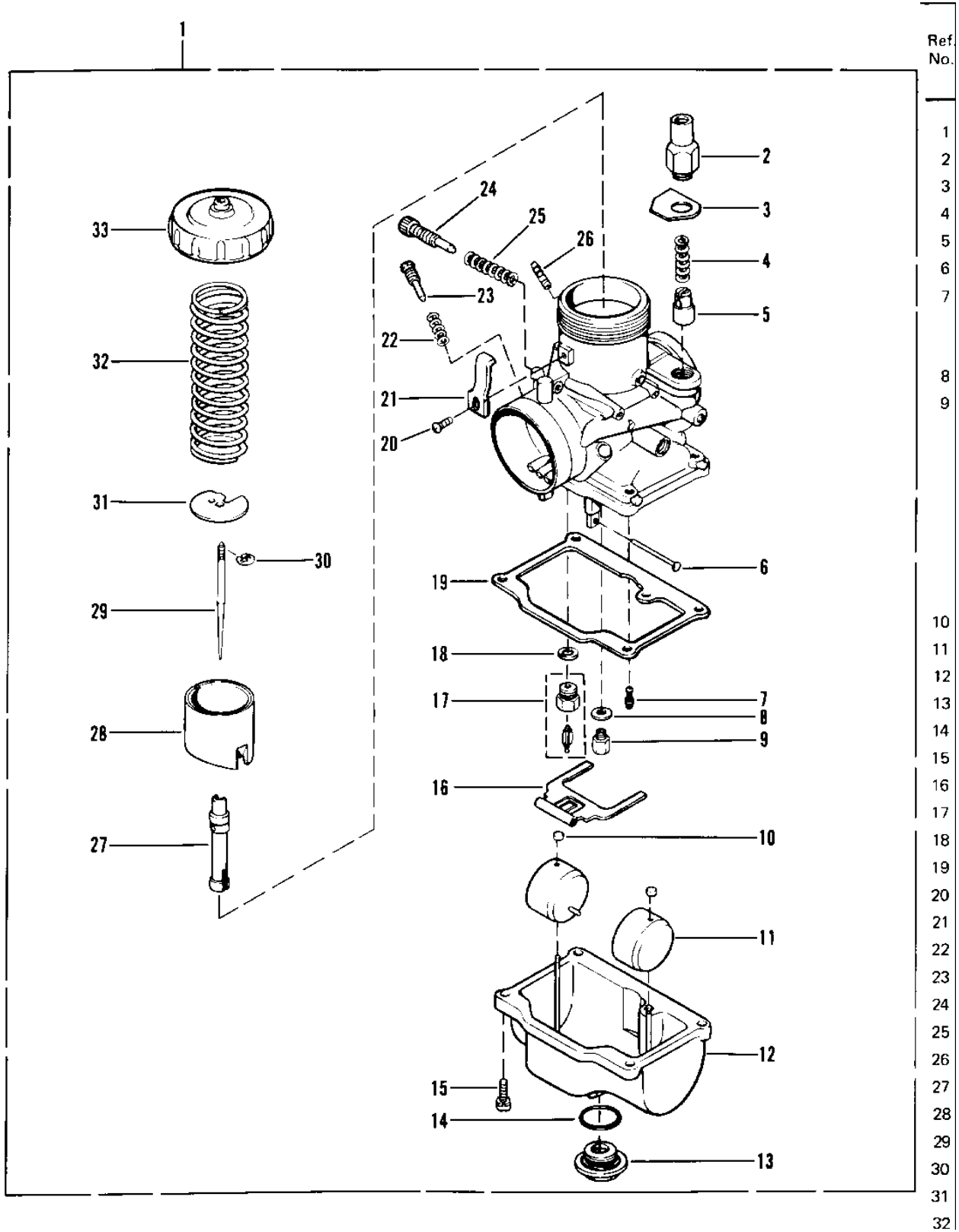


1980 Invader 340 PARTS DIAGRAM

CARBURETOR (SS340-A3)



1980 Invader 340 PARTS LIST

CARBURETOR (SS340-A3)

ITEM NAME	PART NUMBER	QUANTITY
CARBURETOR-32MM (Ref # 1)	16001-3517	1
CAP-STARTER PLUNGER (Ref # 2)	16012-3501	1
WASHER (Ref # 3)	92022-3526	1
SPRING-PLUNGER (Ref # 4)	16013-003	1
PLUNGER-ENRICHNER (Ref # 5)	16016-002	1
PIN,FLOAT (Ref # 6)	16032-008	1
JET-PILOT NO 25 (Ref # 7)	92064-032	1
JET-PILOT NO 20 (Ref # 7)	92064-021	1
PILOT JET,#A15 (Ref # 7)	92064-1018	1
WASHER MAIN JET (Ref # 8)	16034-001	1
JET-MAIN NO 175 (Ref # 9)	92063-3508	1
JET-MAIN NO 120A (Ref # 9)	92063-013	1
JET-MAIN NO 130A (Ref # 9)	92063-014	1
JET-MAIN NO 140A (Ref # 9)	92063-015	1
JET-MAIN NO 150A (Ref # 9)	92063-016	1
JET-MAIN NO 160A (Ref # 9)	92063-017	1
JET-MAIN NO 170A (Ref # 9)	92063-019	1
JET-MAIN NO 180A (Ref # 9)	92063-020	1
RETAINER-FLOAT (Ref # 10)	14020-3508	1
FLOAT (Ref # 11)	16031-3501	1
CHAMBER-FLOAT (Ref # 12)	16020-3502	1
COVER,MAIN JET (Ref # 13)	16049-006	1
GASKET-COVER (Ref # 14)	16038-009	1
SCREW FLOAT CHAMBER (Ref # 15)	16033-009	1
ARM-FLOAT (Ref # 16)	16055-3501	1
VALVE-FLOAT (Ref # 17)	16030-3502	1
WASHER FLOAT VLV SEAT (Ref # 18)	16029-004	1
GASKET-FLOAT CHAMBER (Ref # 19)	11009-3508	1
SCREW (Ref # 20)	92009-3523	1

1980 Invader 340 PARTS LIST

CARBURETOR (SS340-A3)

ITEM NAME	PART NUMBER	QUANTITY
RETAINER-CAP (Ref # 21)	14020-3510	1
SPRING-THR STOP SCREW (Ref # 22)	16022-007	1
SCREW (Ref # 23)	16014-006	1
SCREW-THROTTLE-ADJ (Ref # 24)	16021-1005	1
SPRING THR STOP SCREW (Ref # 25)	16022-005	1
FITTING-CARB (Ref # 26)	92005-3509	1
JET-NEEDLE-159 P4 (Ref # 27)	16017-3502	1
VALVE-THROTTLE-CA3.0 (Ref # 28)	16025-3502	1
NEEDLE-CARB-6DH4 (Ref # 29)	16009-3502	1
CIRCLIP (Ref # 30)	16008-010	1
SEAT-SPRING-CARB (Ref # 31)	16007-022	1
SPRING-THROTTLE VALVE (Ref # 32)	92081-3527	1
CAP-MIXING CHAMBER (Ref # 33)	16004-023	1