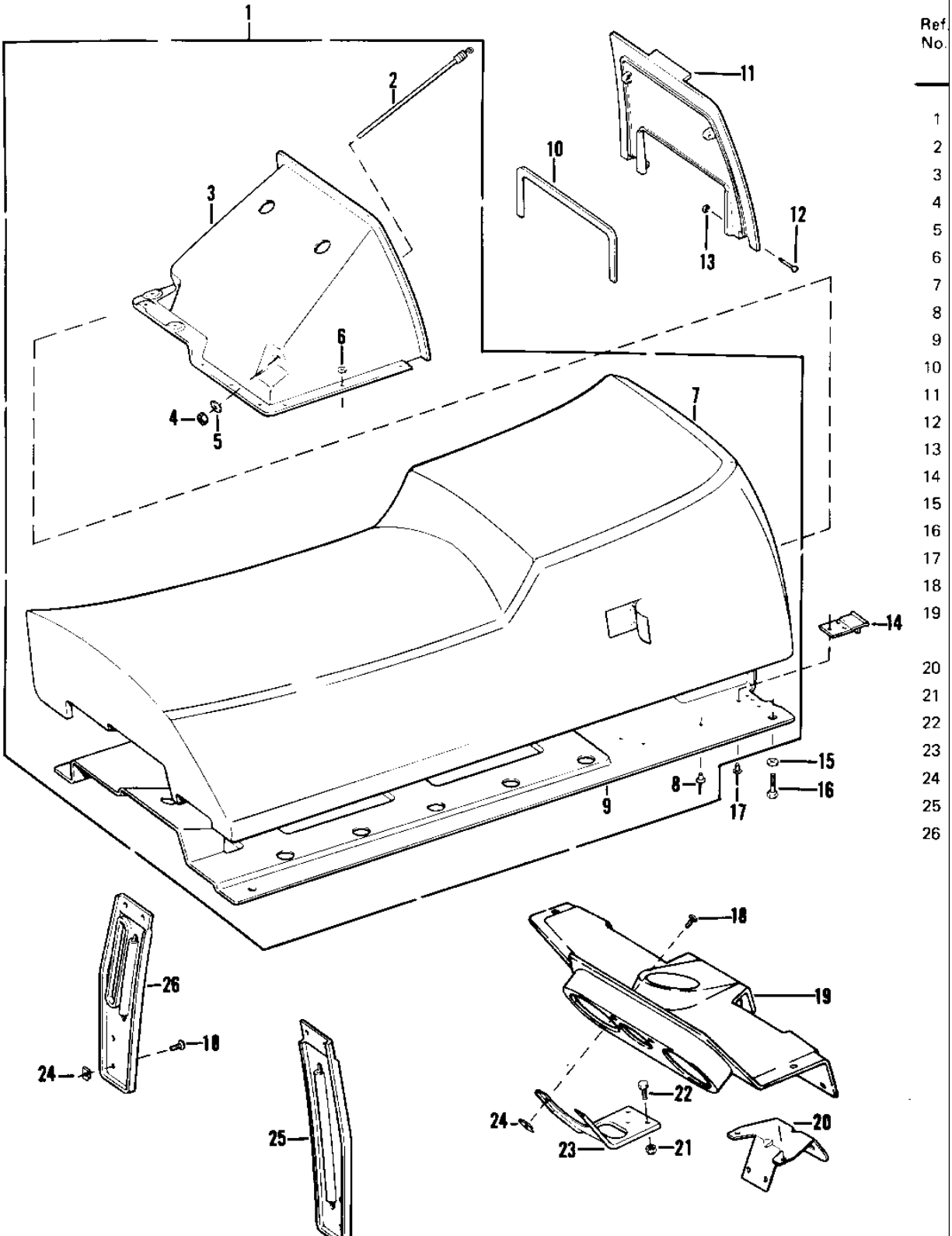


1980 Invader 340 PARTS DIAGRAM

SEAT CONSOLE



Ref. No.
1
2
3
4
5
6
7
8
9
10
11
12
13
14
15
16
17
18
19
20
21
22
23
24
25
26

1980 Invader 340 PARTS LIST

SEAT CONSOLE

ITEM NAME	PART NUMBER	QUANTITY
SEAT (Ref # 1)	53002-3506	2
SPRING-STORAGE (Ref # 2)	92081-3588	1
CASE-STORAGE (Ref # 3)	39012-3501	1
CLAMP-LATCH (Ref # 4)	92037-3512	1
WASHER (Ref # 5)	412EA0700	1
WASHER (Ref # 6)	92022-3539	1
RIVET (Ref # 8)	92039-3520	1
FRAME-SEAT (Ref # 9)	53007-3514	1
GASKET-COVER (Ref # 10)	11009-3503	1
COVER-STORAGE (Ref # 11)	14025-3502	1
PIN-HINGE (Ref # 12)	92043-3506	1
RING-SNAP (Ref # 13)	92033-3507	1
HINGE-COVER (Ref # 14)	53009-3501	1
WASHER (Ref # 15)	412EA0800	1
BOLT (Ref # 16)	118BA0814	1
RIVET (Ref # 17)	534YW0604	1
SCREW (Ref # 18)	92009-3535	1
PANEL-INSTRUMENT (Ref # 19)	59225-3515	1
BRACKET-PANEL (Ref # 20)	11034-3558	1
NUT (Ref # 21)	350BA0800	1
BOLT (Ref # 22)	119BA0810	1
BRACKET-PANEL (Ref # 23)	11034-3557	1
RETAINER-OIL PANEL (Ref # 24)	14020-3513	1
PANEL-CONTROL-LH (Ref # 25)	59225-3517	1
PANEL-CONTROL-RH (Ref # 26)	59225-3516	1