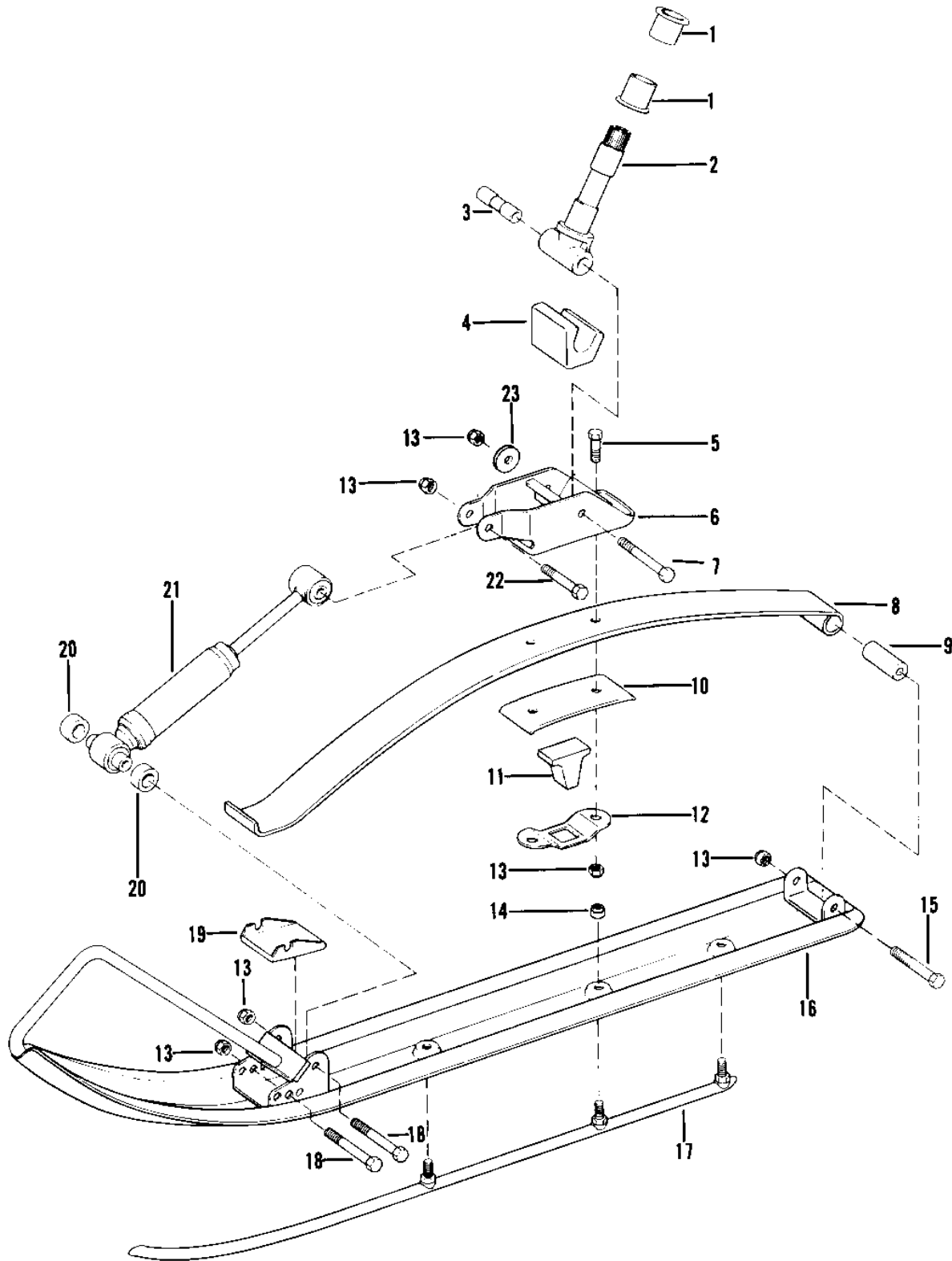


1980 Invader 340 PARTS DIAGRAM

SKI & SPINDLE



Ref.
No.

- 1
- 2
- 3
- 4
- 5
- 6
- 7
- 8
- 9
- 10
- 11
- 12
- 13
- 14
- 15
- 16
- 17
- 18
- 19
- 20
- 21
- 22
- 23

1980 Invader 340 PARTS LIST

SKI & SPINDLE

ITEM NAME	PART NUMBER	QUANTITY
BUSHING SKI SPINDLE (Ref # 1)	92028-3509	1
SPINDLE-SKI (Ref # 2)	39126-3501	1
SLEEVE-SKI SPINDLE (Ref # 3)	42036-3505	1
DAMPER-SKI SPINDLE (Ref # 4)	92075-3503	1
BOLT (Ref # 5)	119CA1220	1
SADDLE-SKI (Ref # 6)	39181-3501	1
BOLT (Ref # 7)	119CA1256	1
SPRING-LEAF (Ref # 8)	39130-3501	1
SLEEVE-LEAF-SPRING (Ref # 9)	42036-3503	1
PLATE-BACKUP (Ref # 10)	39094-3502	1
BUMPER-SKI (Ref # 11)	59201-3502	1
RETAINER-BUMPER (Ref # 12)	39106-3501	1
NUT (Ref # 13)	350BA1200	1
NUT (Ref # 14)	351BA1000	1
BOLT (Ref # 15)	119BA1244	1
SKI (Ref # 16)	39122-3505	1
SKEG-SKI (Ref # 17)	39120-3501	1
BOLT (Ref # 18)	119BA1248	1
STRIP-RUB (Ref # 19)	39138-3503	1
SPACER (Ref # 20)	92026-3510	1
SHOCK ABSORBER-SKI (Ref # 21)	45014-3502	1
BOLT (Ref # 22)	119BA1232	1
WASHER (Ref # 23)	92022-3528	1