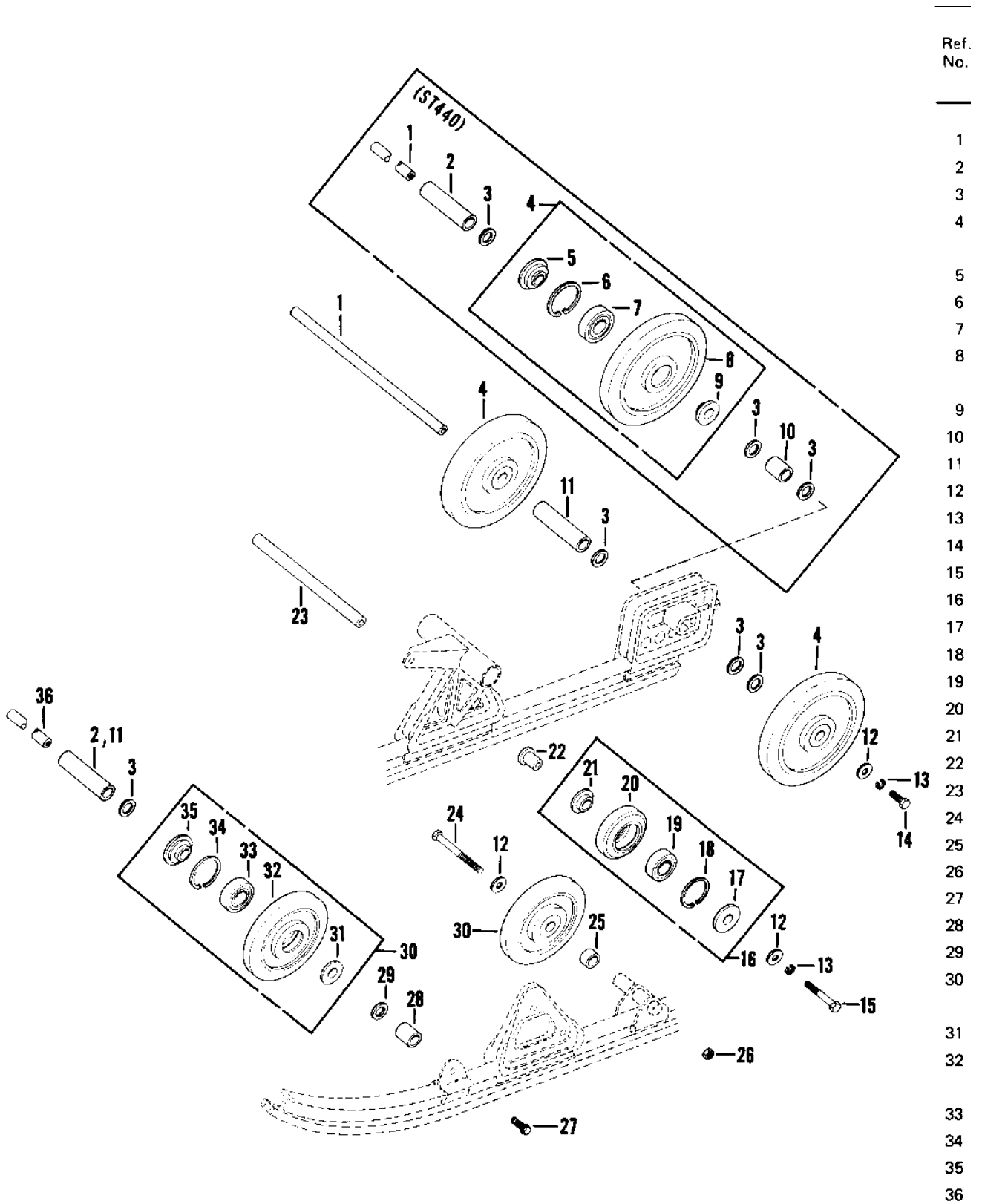


1980 Invader 340 PARTS DIAGRAM

SUSPENSION 2 OF 2



Ref.
No.

- 1
- 2
- 3
- 4
- 5
- 6
- 7
- 8
- 9
- 10
- 11
- 12
- 13
- 14
- 15
- 16
- 17
- 18
- 19
- 20
- 21
- 22
- 23
- 24
- 25
- 26
- 27
- 28
- 29
- 30
- 31
- 32
- 33
- 34
- 35
- 36

1980 Invader 340 PARTS LIST

SUSPENSION 2 OF 2

ITEM NAME	PART NUMBER	QUANTITY
AXLE-REAR (Ref # 1)	39004-3501	1
WASHER (Ref # 3)	92022-3508	2
WHEEL-ASSY-REAR IDLER (Ref # 4)	41073-3508	1
.SPACER (Ref # 5)	92026-3508	3
.RING-SNAP (Ref # 6)	92033-3504	3
.BEARING-BALL (Ref # 7)	92045-3502	3
.WHEEL-IDLER (Ref # 8)	39153-3509	1
.SPACER (Ref # 9)	92026-3509	3
SPACER-12"-CUT TO FIT (Ref # 11)	92026-3576	2
WASHER (Ref # 12)	413EA1200	1
WASHER (Ref # 13)	465FA1200	1
BOLT (Ref # 14)	118BA1216	1
BOLT (Ref # 15)	118BA1240	1
WHEEL-ASSY-IDLER (Ref # 16)	41073-3509	1
.WHEEL-IDLER (Ref # 20)	39153-3512	1
SPACER (Ref # 22)	92026-3545	1
SHAFT-IDLER (Ref # 23)	39115-3501	1
BOLT (Ref # 27)	92001-3508	1
WHEEL-ASSY-FRNT IDLER (Ref # 30)	41073-3504	1
.WHEEL-IDLER (Ref # 32)	39153-3506	1
SHAFT-PIVOT (Ref # 36)	39116-3501	1