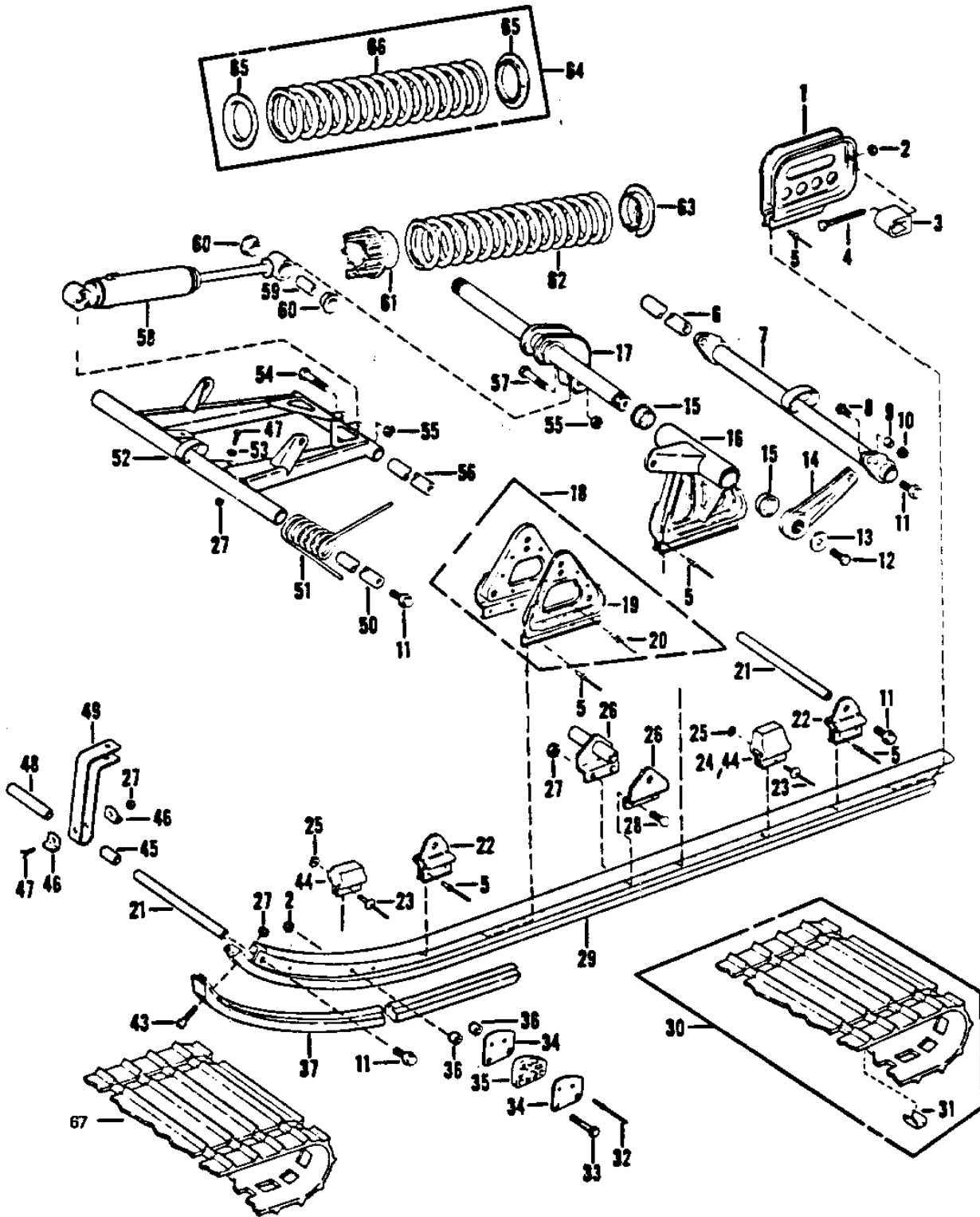


1980 Invader 340 PARTS DIAGRAM

SUSPENSION 1 OF 2



Re
No
1
2
3
4
5
6
7
8
9
10
11
12
13
14
15
16
17
18
19
20
21
22
23
24
25
26
27
28
29
30
31
32
33
34
35
36

1980 Invader 340 PARTS LIST

SUSPENSION 1 OF 2

ITEM NAME	PART NUMBER	QUANTITY
BRACKET-REAR AXLE (Ref # 1)	39172-3501	1
NUT (Ref # 2)	350BA1000	1
BRACKET-ADJUSTMENT (Ref # 3)	11034-3515	1
BOLT (Ref # 4)	92001-3507	1
RIVET (Ref # 5)	92039-3509	1
SHAFT-PIVOT (Ref # 6)	39116-3503	1
PIPE-SUSPENSION (Ref # 7)	39093-3501	1
SCREW (Ref # 8)	92009-3530	1
SPACER (Ref # 9)	92026-3505	1
NUT (Ref # 10)	92015-3511	1
BOLT (Ref # 11)	92001-3508	1
BOLT (Ref # 12)	92001-3511	1
WASHER (Ref # 13)	92022-3507	1
ARM-SUSP-REAR (Ref # 14)	39007-3502	1
BUSHING-PIVOT ARM (Ref # 15)	92028-3513	1
BRACKET-FRNT-SUSP LH (Ref # 16)	39020-3509	1
BRACKET-FRNT-SUSP RH (Ref # 16)	39020-3508	1
PIVOT-COMP-SUSPENSION (Ref # 17)	39102-3501	1
KIT-BRACKET-FRNT SUSP (Ref # 18)	99970-3523	1
.BRACKET, FRONT SUSPENSION (Ref # 19)		1
.RIVET (Ref # 20)	534YW0602	1
BRACE-SUSP RAIL (Ref # 21)	35009-3503	1
BRACKET-SUSP (Ref # 22)	23062-3502	1
RIVET (Ref # 23)	92039-3521	1
WASHER (Ref # 25)	92022-3536	1
NUT (Ref # 27)	350BA0800	1
RAIL-SUSPENSION (Ref # 29)	39105-3507	1
RIVET (Ref # 32)	534YW0608	1
BOLT (Ref # 33)	119BA1028	1

1980 Invader 340 PARTS LIST

SUSPENSION 1 OF 2

ITEM NAME	PART NUMBER	QUANTITY
PLATE-SPRING (Ref # 34)	13169-3517	1
CAM-SPRING-FRONT (Ref # 35)	49060-3507	1
SPACER (Ref # 36)	92026-3523	1
STRIP-RAIL-WEAR (Ref # 37)	39139-3506	1
SCREW (Ref # 43)	92009-3531	1
BUMPER-SKI (Ref # 44)	59201-3501	1
SPACER (Ref # 45)	92026-3524	1
WASHER (Ref # 46)	92022-3535	1
BOLT (Ref # 47)	119BA0816	1
SPACER (Ref # 48)	92026-3525	1
LIMITER-FRONT STRAP (Ref # 49)	39076-3502	1
SHAFT-PIVOT (Ref # 50)	39116-3502	1
UNAVAILABLE IN PRICE BOOK (Ref # 51)	92061-3531	1
UNAVAILABLE IN PRICE BOOK (Ref # 51)	92061-3530	1
ARM-COMP-SWING (Ref # 52)	33001-3502	1
WASHER (Ref # 53)	413EA0800	1
BOLT (Ref # 54)	119BA1236	1
NUT (Ref # 55)	350BA1200	1
SHAFT-PIVOT (Ref # 56)	39116-3501	1
BOLT (Ref # 57)	119BA1232	1
SHOCK ABSORBER-SUSP (Ref # 58)	45014-3501	1
SLEEVE-SHOCK ABSORBER (Ref # 59)	42036-3502	1
BUSHING-SHOCK ABSORB (Ref # 60)	92028-3502	1
CAM-SHOCK ABSORBER (Ref # 61)	49060-3501	1
SPRING-SHOCK ABSORBER (Ref # 62)	92081-3515	1
RETAINER-SPRING (Ref # 63)	39108-3503	1
KIT-SUSP-HD SPRING (Ref # 64)	99970-3501	1
.RETAINER-SPRING (Ref # 65)	39108-3502	1
.SPRING-COMPRESSION HD (Ref # 66)	92081-3524	1

1980 Invader 340 PARTS LIST

SUSPENSION 1 OF 2

ITEM NAME	PART NUMBER	QUANTITY
KIT-TRACK \$\$ (Ref # 67)	99970-3542	1