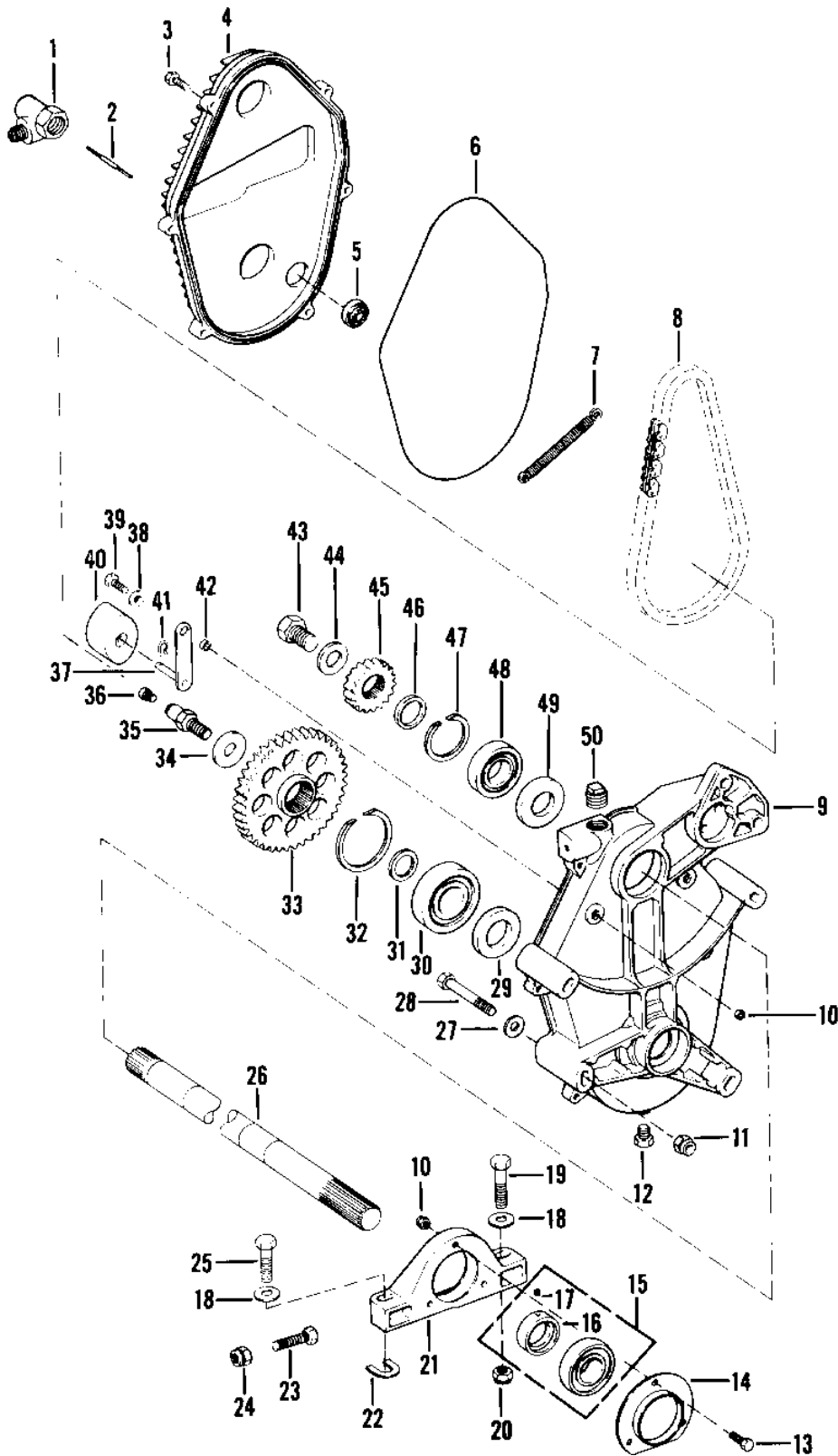


1980 Invader 340 PARTS DIAGRAM

CHAIN CASE & JACKSHAFT



R
N

1
1
1
1
1
1
1
1
1
1
1
1
2
2
2
2
2
2
2
2
2
2
2
2
3
3
3

1980 Invader 340 PARTS LIST

CHAIN CASE & JACKSHAFT

ITEM NAME	PART NUMBER	QUANTITY
ADAPTER-SPEEDO DRIVE (Ref # 1)	41077-3509	1
KEY-SPEEDO ADAPTER (Ref # 2)	39072-3503	1
BOLT (Ref # 3)	92001-3503	1
COVER-CHAIN CASE (Ref # 4)	39039-3503	1
GAUGE-OIL (Ref # 5)	52005-3501	1
RING-O (Ref # 6)	92055-3501	1
SPRING-PINK-CHAINCASE (Ref # 7)	92081-3506	1
SPRING-GRN-CHAINCASE (Ref # 7)	92081-3508	1
SPRING-BLUE-CHAINCASE (Ref # 7)	92081-3503	1
SPRING-RED -CHAINCASE (Ref # 7)	92081-3504	1
SPRING-ORNG-CHAINCASE (Ref # 7)	92081-3505	1
SPRING-YELL-CHAINCASE (Ref # 7)	92081-3507	1
SPRING-WHTE-CHAINCASE (Ref # 7)	92081-3509	1
SPRING-BLK-CHAINCASE (Ref # 7)	92081-3510	1
CHAIN-64 PITCH (Ref # 8)	92057-3502	1
CHAIN-66 PITCH (Ref # 8)	92057-3503	1
CASE-CHAIN (Ref # 9)	36014-3503	1
NUT (Ref # 10)	350BA0800	1
NUT (Ref # 11)	350BA1000	1
PLUG-CHAINCASE DRAIN (Ref # 12)	92066-3501	1
BOLT (Ref # 13)	119BA0814	1
FLANGE-BEARING (Ref # 14)	41086-3502	1
BEARING-BALL (Ref # 15)	92045-3508	1
.COLLAR-BEARING (Ref # 16)	92027-3501	1
.SCREW (Ref # 17)	92009-3525	1
WASHER (Ref # 18)	412EA1200	1
BOLT (Ref # 19)	119BA1228	1
NUT (Ref # 20)	350BA1200	1
RETAINER-BEARING (Ref # 21)	14020-3503	1

1980 Invader 340 PARTS LIST

CHAIN CASE & JACKSHAFT

ITEM NAME	PART NUMBER	QUANTITY
SHIM-BEARING RETAINER (Ref # 22)	92025-3504	1
BOLT (Ref # 23)	119BA1220	2
BOLT (Ref # 25)	92001-3516	1
JACKSHAFT-CHAIN CASE (Ref # 26)	39069-3503	1
WASHER (Ref # 27)	92022-3523	1
BOLT (Ref # 28)	119BA1052	1
SEAL-OIL (Ref # 29)	92049-3503	1
BEARING-BALL (Ref # 30)	92045-3511	1
RING-BEARING (Ref # 32)	43058-3506	1
SPROCKET-DRIVEN-37TH (Ref # 33)	39135-3505	1
SPROCKET-DRIVEN-39TH (Ref # 33)	39135-3508	1
SPROCKET-DRIVEN-36TH (Ref # 33)	39135-3506	1
SPROCKET-DRIVEN-38TH (Ref # 33)	39135-3504	1
SPROCKET-DRIVEN-40TH (Ref # 33)	39135-3501	1
WASHER (Ref # 34)	92022-3502	1
BOLT-SPECIAL,SPROCKET (Ref # 35)	92001-3525	1
ADAPTER-SPEEDO KEY (Ref # 36)	41077-3502	1
ARM-TENSIONER (Ref # 37)	39170-3501	1
WASHER (Ref # 38)	412EA0800	1
BOLT (Ref # 39)	119BA0816	1
GUIDE-CHAIN (Ref # 40)	12053-3501	1
PIN-HAIR (Ref # 41)	39092-3501	1
SLEEVE-TENSIONER ARM (Ref # 42)	42036-3501	1
BOLT (Ref # 43)	92001-3505	1
WASHER (Ref # 44)	92022-3503	1
SPROCKET-DRIVE-18TH (Ref # 45)	39134-3502	1
SPROCKET-DRIVE-21TH (Ref # 45)	39134-3503	1
SPROCKET,DRIVE-17TH (Ref # 45)	39134-3506	1
SPROCKET,DRIVE-19TH (Ref # 45)	39134-3505	1

1980 Invader 340 PARTS LIST

CHAIN CASE & JACKSHAFT

ITEM NAME	PART NUMBER	QUANTITY
SPROCKET-DRIVE-22TH (Ref # 45)	39134-3508	1
SPROCKET,DRIVE-20TH (Ref # 45)	39134-3504	1
SPACER (Ref # 46)	92026-3542	1
RING-BEARING (Ref # 47)	43058-3507	1
BEARING-BALL (Ref # 48)	92045-3510	1
SEAL-OIL (Ref # 49)	92049-3502	1
PLUG-CHAINCASE FILL (Ref # 50)	92066-3502	1