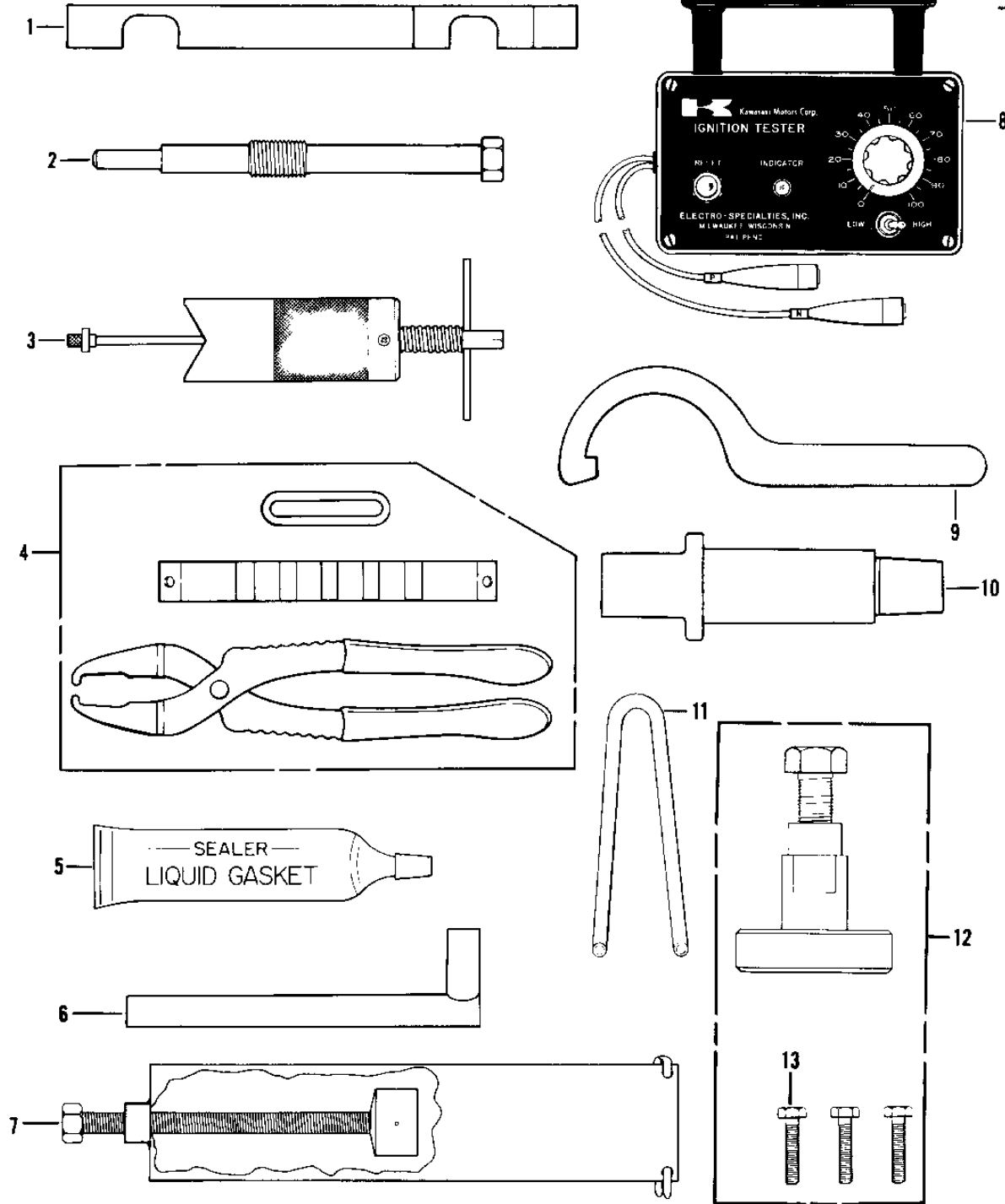


1979 Invader 340 PARTS DIAGRAM

SPECIAL TOOLS

Special Tools



Ref.
No.

- 1
- 2
- 3
- 4
- 5
- 6
- 7
- 8
- 9
- 10
- 11
- 12
- 13

★

★

1979 Invader 340 PARTS LIST

SPECIAL TOOLS

ITEM NAME	PART NUMBER	QUANTITY
*** N.L.A.*** (Canada) (Ref # 1)	57001-3503	1
*** N.L.A.*** (Canada) (Ref # 2)	57001-3502	1
PULLER-PISTON PIN (Ref # 3)	57001-910	1
UNAVAILABLE IN PRICE BOOK (Ref # 4)	T57001-130	1
LIQUID GASKET (Ref # 5)	92104-002	1
TOOL-SPRING ADJUST (Ref # 6)	57001-3507	1
*** N.L.A.*** (Canada) (Ref # 7)	57001-3504	1
*** N.L.A.*** (Canada) (Ref # 8)	T56019-201	1
*** N.L.A.*** (Canada) (Ref # 9)	57001-3501	1
TOOL-CENTERING PILOT (Ref # 10)	57001-3508	1
*** N.L.A.*** (Canada) (Ref # 12)	57001-3509	1
.BOLT (Ref # 13)	110P0620	1
T56019-031A (Canada) (Ref # 13)	57001-3510	1
T56019-032B (Canada) (Ref # *)	T56019-032	1