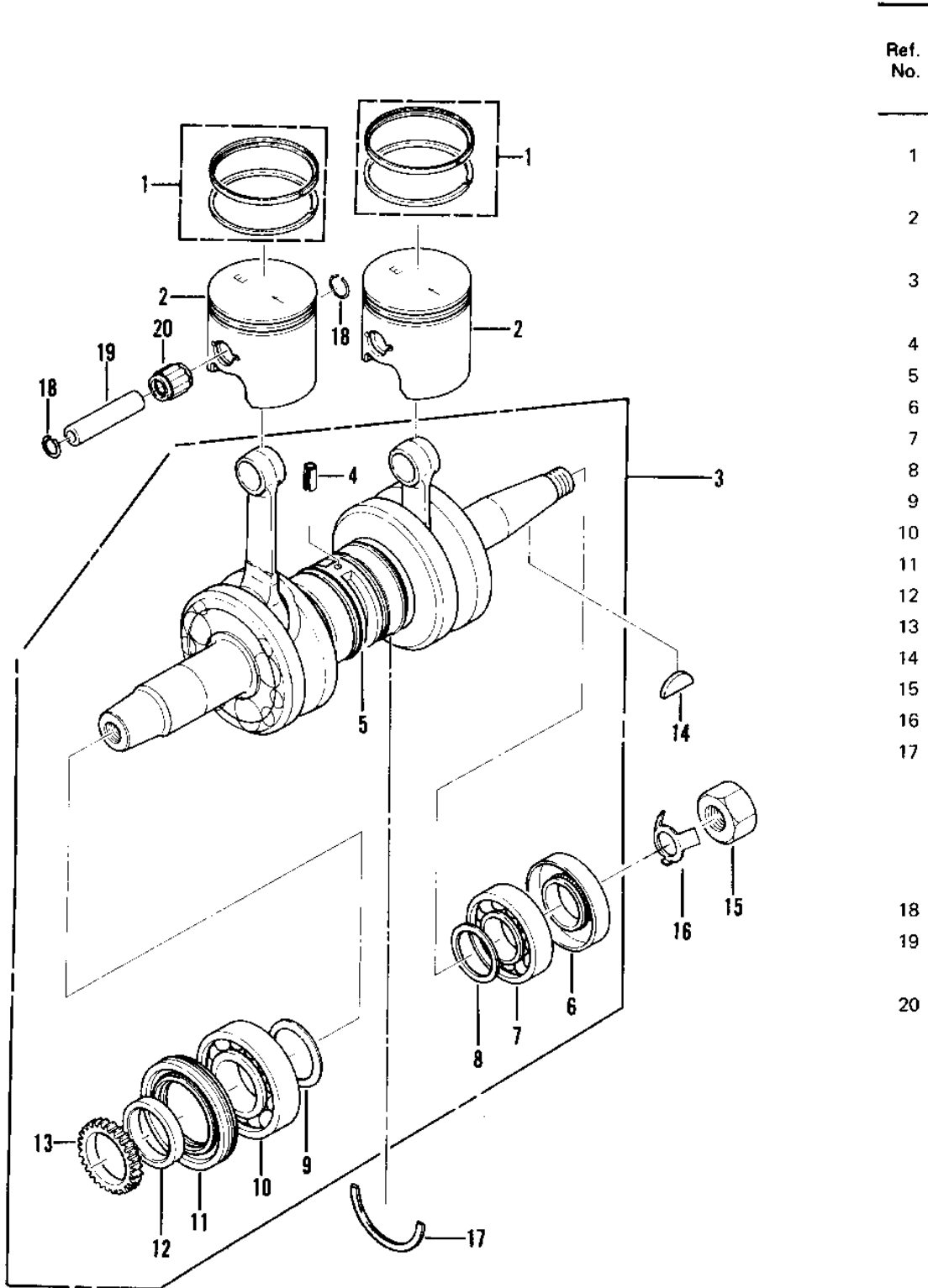


1979 Invader 340 PARTS DIAGRAM

PISTON & CRANKSHAFT

Piston & Cra



Ref.
No.

- 1
- 2
- 3
- 4
- 5
- 6
- 7
- 8
- 9
- 10
- 11
- 12
- 13
- 14
- 15
- 16
- 17
- 18
- 19
- 20

1979 Invader 340 PARTS LIST

PISTON & CRANKSHAFT

ITEM NAME	PART NUMBER	QUANTITY
RING-PISTON-SET (Ref # 1)	13008-3002	1
PISTON (Ref # 2)	13001-3002	1
CRANKSHAFT-ASSY (Ref # 3)	13031-3009	1
.PIN-SPRING (Ref # 4)	49035-3001	1
.RING-O (Ref # 5)	92055-3002	1
.SEAL,OIL TCY306210 (Ref # 6)	92050-507	1
.BEARING-BALL (Ref # 7)	92045-3002	1
.SHIM-1.0T (Ref # 8)	92025-532	1
.SHIM-1.0T (Ref # 9)	92025-539	1
.BEARING-BALL (Ref # 10)	92045-3004	1
.SEAL-OIL (Ref # 11)	92049-3003	1
.COLLAR-CRANK LH (Ref # 12)	92027-3002	1
.GEAR-PUMP DRIVE 26T (Ref # 13)	59051-3001	1
WOODRUFF KEY (Ref # 14)	510A5200	1
NUT 18M/M (Ref # 15)	315B1800A	1
WASHER (Ref # 16)	92022-3019	1
SHIM-0.7T (Ref # 17)	92025-3001	1
SHIM-0.8T (Ref # 17)	92025-3002	1
SHIM-0.9T (Ref # 17)	92025-3003	1
SHIM-1.0T (Ref # 17)	92025-3004	1
SHIM-1.2T (Ref # 17)	92025-3005	1
CIRCLIP PISTON PIN (Ref # 18)	92036-004	1
PIN-PISTON (Ref # 19)	13002-505	1
BEARING-SMALL END (Ref # 20)	13033-3005	1