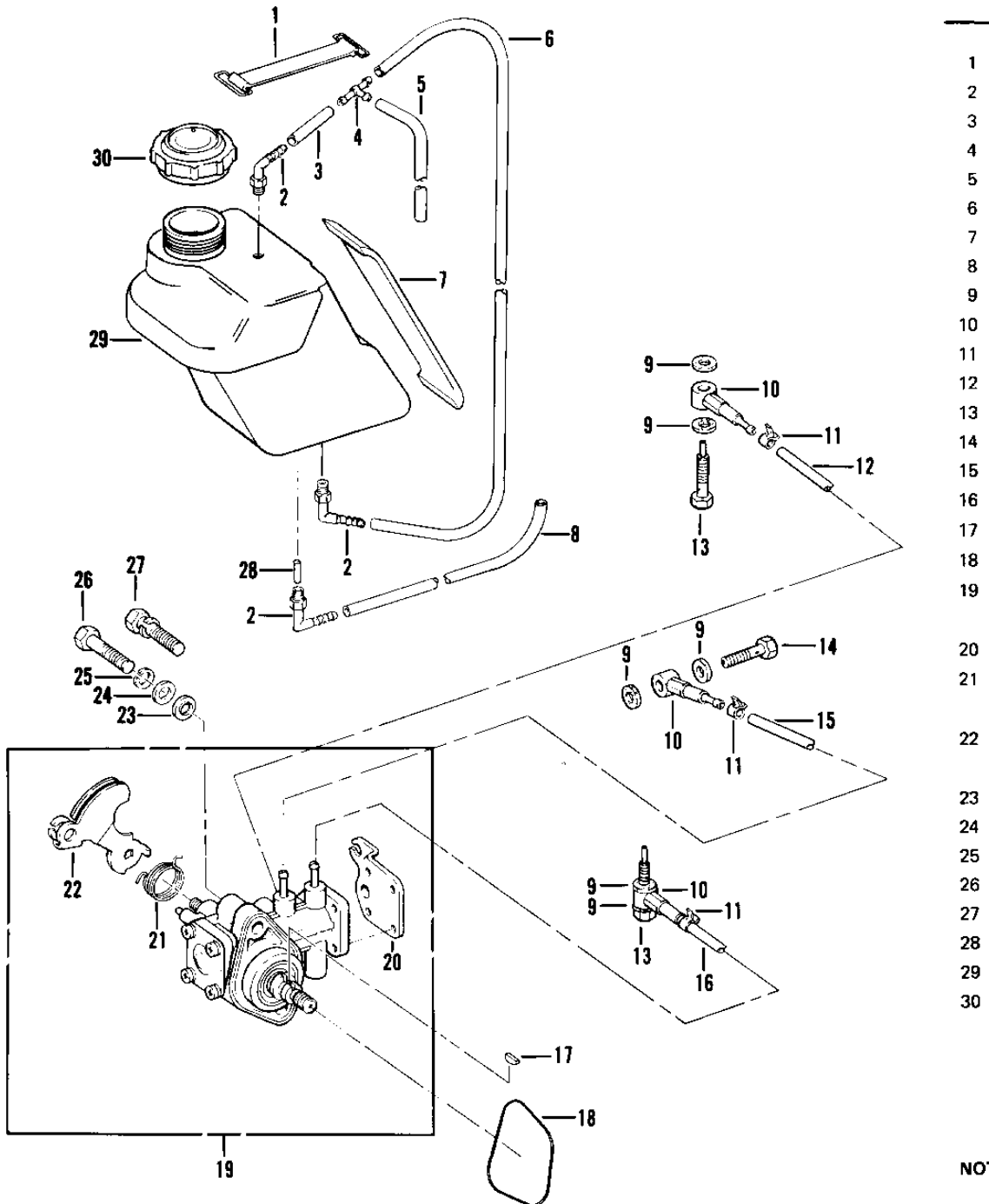


1979 Invader 340 PARTS DIAGRAM

LUBRICATION SYSTEM

Lubrication



Ref.
No.

- 1
- 2
- 3
- 4
- 5
- 6
- 7
- 8
- 9
- 10
- 11
- 12
- 13
- 14
- 15
- 16
- 17
- 18
- 19
- 20
- 21
- 22
- 23
- 24
- 25
- 26
- 27
- 28
- 29
- 30

NOT

*
†

1979 Invader 340 PARTS LIST

LUBRICATION SYSTEM

ITEM NAME	PART NUMBER	QUANTITY
BAND (Ref # 1)	92072-3502	1
FITTING-OIL TANK (Ref # 2)	92005-3505	1
TUBE-FUEL 1/4ID -100' (Ref # 3)	92059-3521	3
UNAVAILABLE IN PRICE BOOK (Ref # 4)	92005-3508	1
TUBE-FUEL 1/8ID -100' (Ref # 5)	92059-3519	1
PAD-OIL TANK (Ref # 7)	39156-3502	1
GASKET-CHECK VALVE (Ref # 9)	92065-534	1
VALVE-CHECK (Ref # 10)	16087-3001	1
CLAMP-OIL TUBE (Ref # 11)	92037-3002	1
TUBE-CYLINDER RH (Ref # 12)	92059-3001	1
NOZZLE-OIL (Ref # 13)	92062-503	1
NOZZLE-CRANKCASE (Ref # 14)	92062-3001	1
TUBE-CRANKCASE (Ref # 15)	92059-3003	1
TUBE-CYLINDER LH (Ref # 16)	92059-3002	1
KEY-WOODRUFF (Ref # 17)	92038-3001	1
RING-O (Ref # 18)	92055-3005	1
PUMP-OIL (Ref # 19)	49042-3010	1
.PLATE-INLET (Ref # 20)	13169-3005	1
.SPRING,LEVER RETURN (Ref # 21)	92081-3007	1
.LEVER-CONTROL (Ref # 22)	13168-3001	1
WASHER-OIL PUMP (Ref # 23)	49091-3001	1
WASHER PLAIN 6MM (Ref # 24)	410B0600	1
BOLT-UPSET-WS,6X35 (Ref # 27)	180B0635	1
PIPE-PICKUP-FUEL TANK (Ref # 28)	32032-3518	1
TANK-OIL (Ref # 29)	52001-3501	1
CAP-OIL TANK (Ref # 30)	51049-3502	1