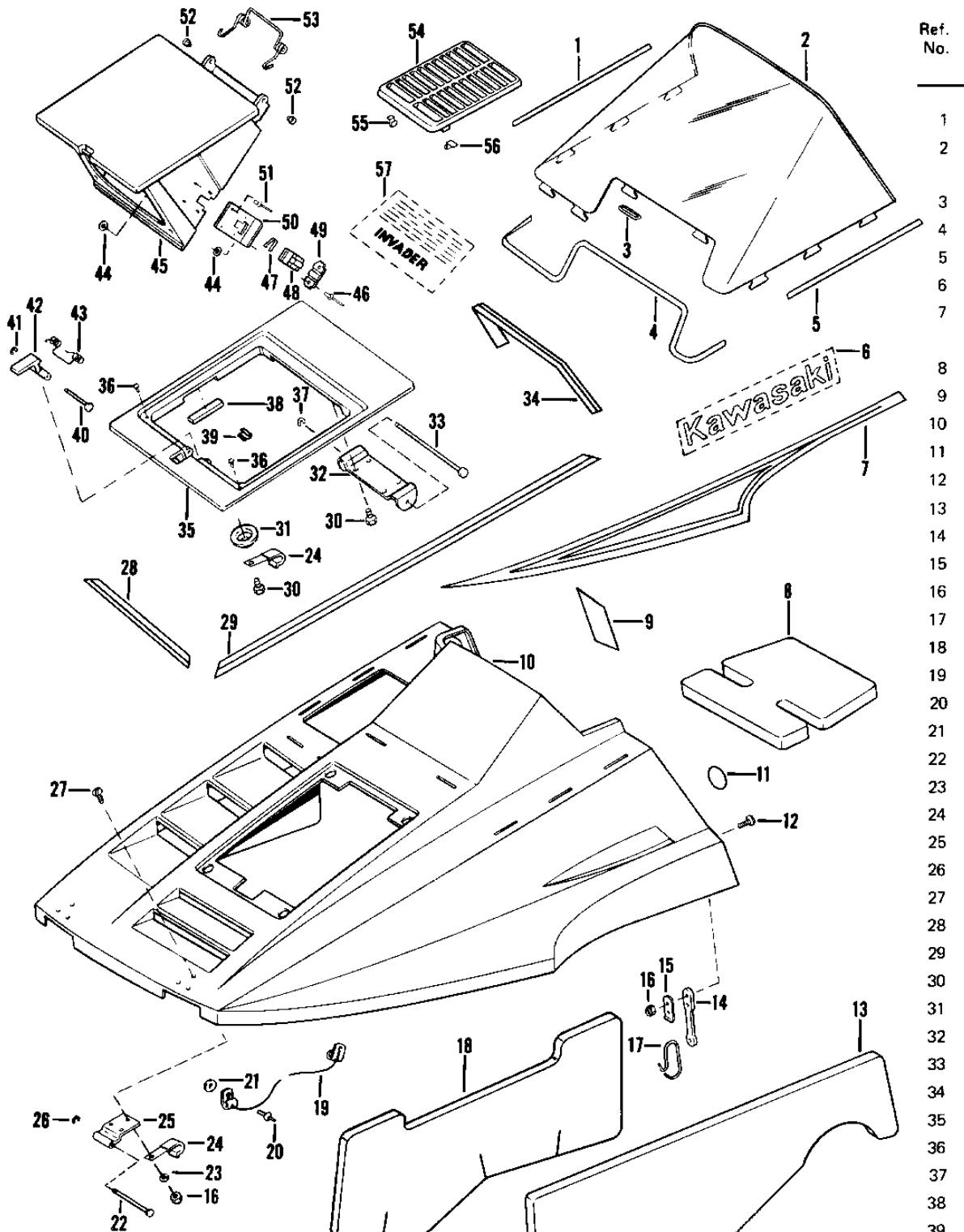


## 1979 Invader 340 PARTS DIAGRAM

HOOD (SS340-A2, SS440-A2)

### Hood (SS340-A2,



Ref. No.
1
2
3
4
5
6
7
8
9
10
11
12
13
14
15
16
17
18
19
20
21
22
23
24
25
26
27
28
29
30
31
32
33
34
35
36
37
38
39

## 1979 Invader 340 PARTS LIST

HOOD (SS340-A2, SS440-A2)

ITEM NAME	PART NUMBER	QUANTITY
PATTERN-WINDSHIELD-RH (Ref # 1)	56027-3518	1
WINDSHIELD-LOW (Ref # 2)	39154-3505	1
WINDSHIELD-HIGH (Ref # 2)	39154-3514	1
RING-O (Ref # 3)	92055-3503	1
PATTERN-WINDSHIELD FT (Ref # 4)	56027-3517	1
PATTERN-WINDSHIELD LH (Ref # 5)	56027-3519	1
MARK-KAWASAKI (Ref # 6)	56018-3511	1
PATTERN-COWL LH (Ref # 7)	56027-3528	1
PATTERN-COWL RH (Ref # 7)	56027-3527	1
PAD-TOP (Ref # 8)	39156-3516	1
LABEL-WARN-OPERATE (Ref # 9)	56040-3507	1
HOOD-DRK BLUE CNTR \$\$ (Ref # 10)	59456-3512	1
SCREW (Ref # 12)	250DH0816	1
PAD-HOOD,CUT TO FIT (Ref # 13)	39156-3580	2
BAND (Ref # 14)	92072-3508	1
PLATE-BAND (Ref # 15)	13169-3511	1
NUT (Ref # 16)	351BA0800	1
HOOK-RETAINER (Ref # 17)	27012-3501	1
LANYARD-HOOD (Ref # 19)	39073-3501	1
RIVET (Ref # 20)	535XX0606	1
WASHER (Ref # 21)	412EA0600	2
PIN-HINGE (Ref # 22)	92043-3503	1
WASHER (Ref # 23)	412EA0800	1
CLAMP-HARNESS-HEAD (Ref # 24)	92037-3511	1
HINGE-HOOD-RH OR LH (Ref # 25)	53009-3513	1
RING-SNAP (Ref # 26)	92033-3502	1
SCREW (Ref # 27)	250DH0814	1
PATTERN-LOWER-FRONT (Ref # 28)	56027-3524	1
PATTERN-CENTER (Ref # 29)	56027-3525	1

## 1979 Invader 340 PARTS LIST

HOOD (SS340-A2, SS440-A2)

ITEM NAME	PART NUMBER	QUANTITY
SCREW (Ref # 30)	92009-3557	1
WASHER (Ref # 31)	92022-3519	1
BRACKET-HINGE (Ref # 32)	11034-3549	1
PIN-PIVOT (Ref # 33)	92043-3507	1
PATTERN-TOP-FRONT (Ref # 34)	56027-3526	1
HOLDER-HEADLAMP (Ref # 35)	13091-3506	1
GROMMET (Ref # 36)	92071-3504	1
RING-SNAP (Ref # 37)	92033-3508	1
GASKET-HDLMP HOUSE (Ref # 38)	11009-3504	1
RETAINER-LATCH (Ref # 39)	14020-3512	1
PIN (Ref # 40)	92043-3509	1
RING-SNAP (Ref # 41)	92033-3506	1
LATCH-CLOSED-HDLMP (Ref # 42)	49031-3503	1
SPRING-TORSION (Ref # 43)	92081-3520	1
HOUSING-HEAD LAMP (Ref # 45)	13227-3507	1
RIVET (Ref # 46)	534WV0606	1
SPRING-LATCH (Ref # 47)	92081-3533	1
LATCH-ASSY-HDLMP (Ref # 48)	49031-3507	2
COVER-LATCH (Ref # 49)	14025-3506	1
RIVET (Ref # 51)	534VW0606	1
BUSHING-HEAD LAMP (Ref # 52)	92028-3505	1
SPRING-TORSION (Ref # 53)	92081-3532	1
PANEL-VENT (Ref # 54)	39090-3502	1
RETAINER-PANEL VENT (Ref # 55)	14020-3516	1
RETAINER-PANEL (Ref # 56)	14020-3507	1
MARK 340 INVADER (Ref # 57)	56018-3504	1
PAINT-BLUE MET-12.5 (Ref # 57)	50275-3501	1
PAINT-GLOSS BLK-12.5 (Ref # 57)	50275-3502	1
PAINT-CLEAR-12.5 OZ. (Ref # 57)	50275-3503	1