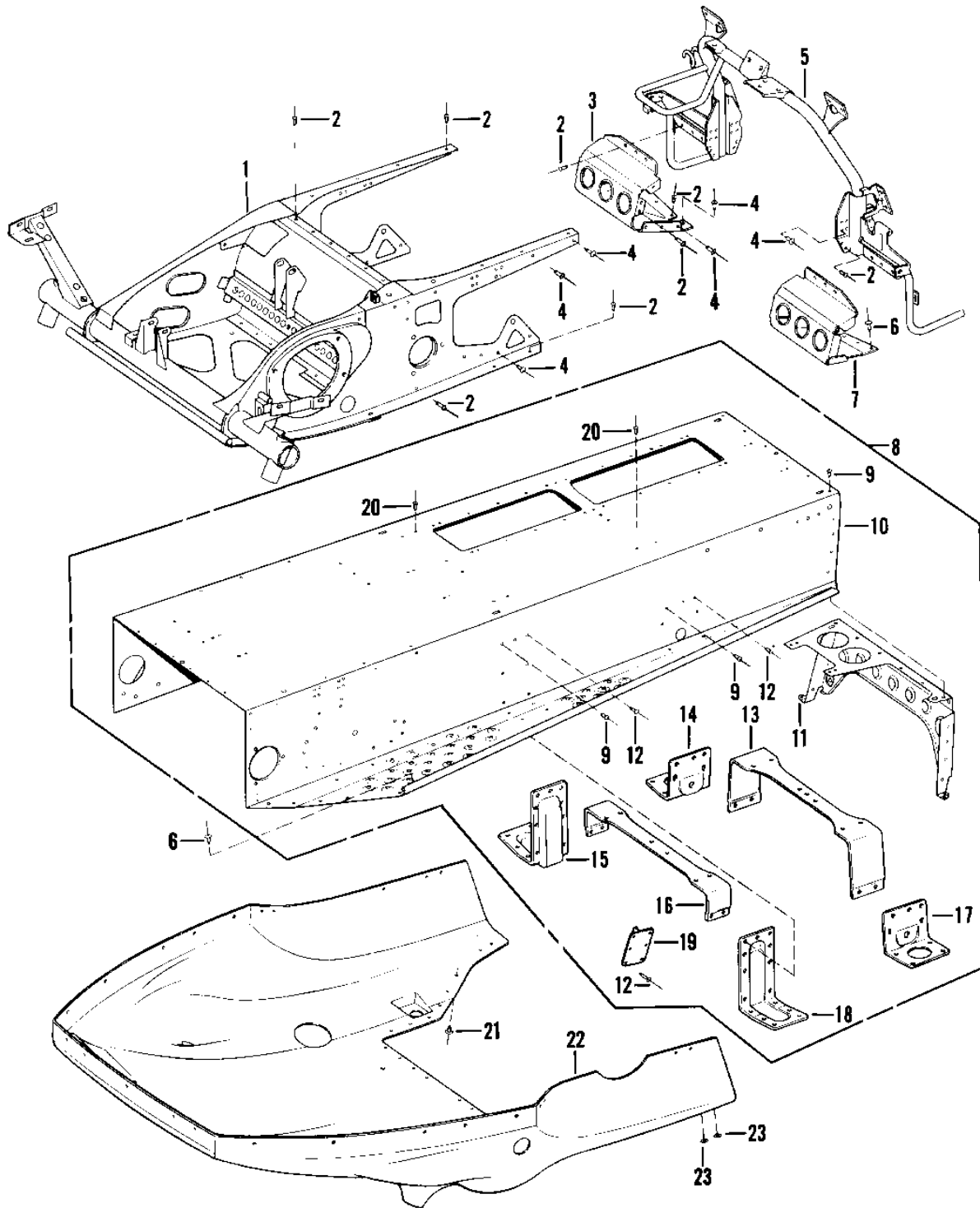


## 1979 Invader 340 PARTS DIAGRAM

CHASSIS 3 OF 3

### Chassis 3



Ref.  
No.

- 1
- 2
- 3
- 4
- 5
- 6
- 7
- 8
- 9
- 10
- 11
- 12
- 13
- 14
- 15
- 16
- 17
- 18
- 19
- 20
- 21
- 22
- 23

## 1979 Invader 340 PARTS LIST

CHASSIS 3 OF 3

ITEM NAME	PART NUMBER	QUANTITY
KIT-FRONT FRAME (Ref # 1)	99970-3559	1
RIVET (Ref # 2)	534YY0602	2
FOOTREST-RH (Ref # 3)	39048-3505	1
RIVET (Ref # 4)	534YY0604	2
MOUNT-ASSY-UPPER STRG (Ref # 5)	39084-3503	1
RIVET (Ref # 6)	534XX0606	1
FOOTREST-LH (Ref # 7)	39048-3502	1
UNAVAILABLE IN PRICE BOOK (Ref # 8)	39161-3507	1
.TUNNEL (Ref # 10)	39149-3505	1
.BULKHEAD-REAR (Ref # 11)	39026-3501	1
.REINFORCE-TUNNEL-REAR (Ref # 13)	35034-3510	1
.BRACKET-REAR SUSP RH (Ref # 14)	39019-3504	1
.BRACKET-CHASSIS-RH (Ref # 15)	11034-3550	1
.REINFORCE-TUNNEL-FRNT (Ref # 16)	35034-3505	1
.BRACKET-REAR SUSP LH (Ref # 17)	39019-3505	1
.BRACKET-CHASSIS-LH (Ref # 18)	11034-3551	1
.BRACKET-SPRING-MOUNT (Ref # 19)	39016-3505	1
.RIVET (Ref # 20)	534YW0602	1
RIVET (Ref # 21)	535XX0606	1
PAN-LOWER-NO EXH HOLE (Ref # 22)	39088-3513	1
WASHER (Ref # 23)	412EA0600	1