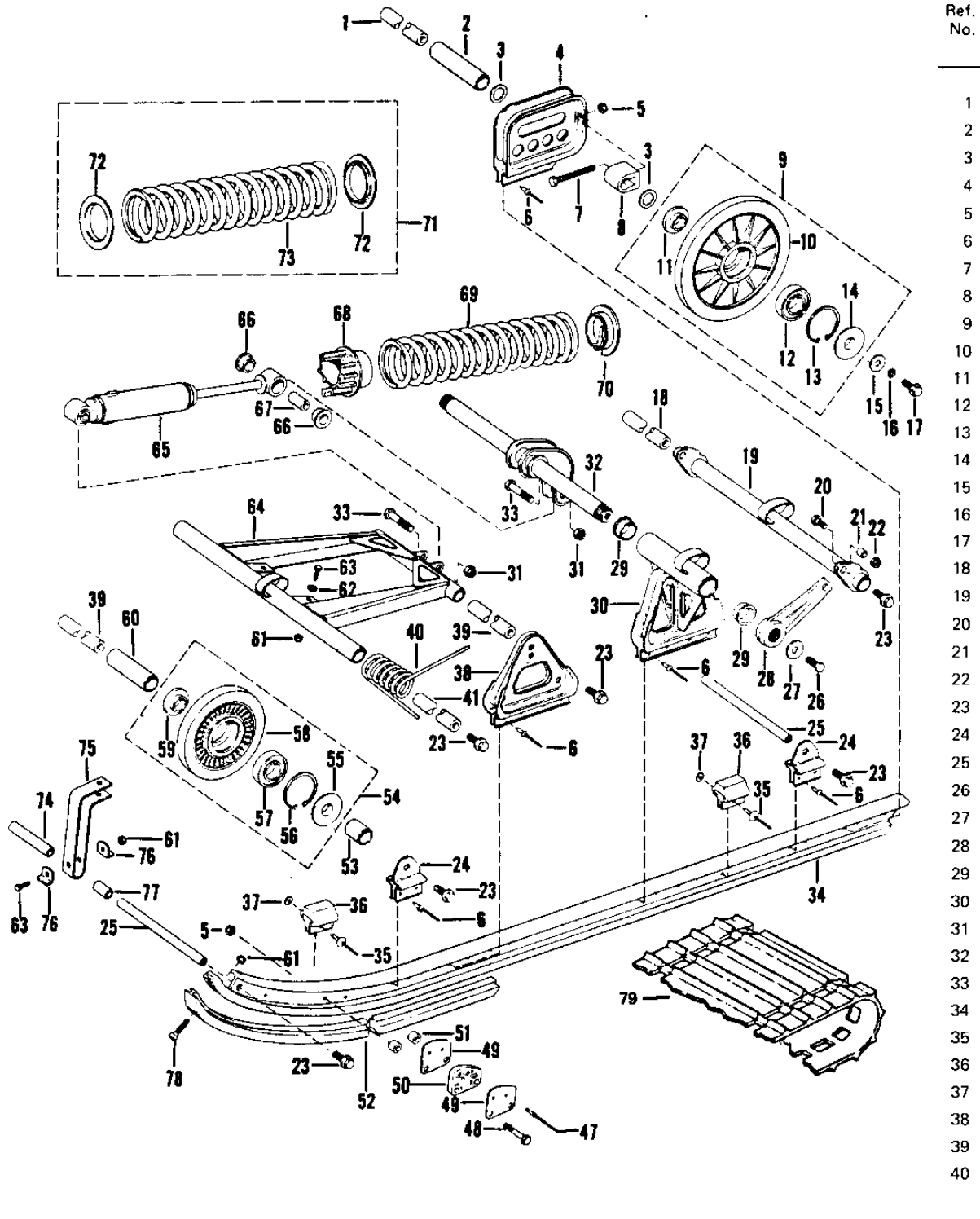


1979 Invader 340 PARTS DIAGRAM

SUSPENSION

Suspens



1979 Invader 340 PARTS LIST

SUSPENSION

ITEM NAME	PART NUMBER	QUANTITY
AXLE-REAR (Ref # 1)	39004-3501	1
SPACER-12"-CUT TO FIT (Ref # 2)	92026-3576	3
WASHER (Ref # 3)	92022-3508	1
BRACKET-REAR AXLE (Ref # 4)	39172-3501	1
NUT (Ref # 5)	350BA1000	1
RIVET (Ref # 6)	92039-3509	1
BOLT (Ref # 7)	92001-3507	1
BRACKET-ADJUSTMENT (Ref # 8)	11034-3515	1
WHEEL-ASSY-REAR IDLER (Ref # 9)	41073-3508	1
.WHEEL-IDLER (Ref # 10)	39153-3509	1
.SPACER (Ref # 11)	92026-3509	2
.BEARING-BALL (Ref # 12)	92045-3502	2
.RING-SNAP (Ref # 13)	92033-3504	2
.SPACER (Ref # 14)	92026-3508	2
WASHER (Ref # 15)	413EA1200	1
WASHER (Ref # 16)	465FA1200	1
UNAVAILABLE IN PRICE BOOK (Ref # 17)	1188BA1216	1
SHAFT-PIVOT (Ref # 18)	39116-3503	1
PIPE-SUSPENSION (Ref # 19)	39093-3501	1
SCREW (Ref # 20)	92009-3530	1
SPACER (Ref # 21)	92026-3505	1
NUT (Ref # 22)	92015-3511	1
BOLT (Ref # 23)	92001-3508	1
BRACKET-SUSP (Ref # 24)	23062-3502	1
BRACE-SUSP RAIL (Ref # 25)	35009-3503	1
BOLT (Ref # 26)	92001-3511	1
WASHER (Ref # 27)	92022-3507	1
ARM-SUSP-REAR (Ref # 28)	39007-3502	1
BUSHING-PIVOT ARM (Ref # 29)	92028-3506	1

1979 Invader 340 PARTS LIST

SUSPENSION

ITEM NAME	PART NUMBER	QUANTITY
BRACKET-REAR-SUSP (Ref # 30)	39020-3501	1
NUT (Ref # 31)	350BA1200	1
PIVOT-COMP-SUSPENSION (Ref # 32)	39102-3501	1
BOLT (Ref # 33)	119BA1232	1
RAIL-SUSPENSION (Ref # 34)	39105-3502	1
RIVET (Ref # 35)	92039-3521	1
BUMPER-SKI (Ref # 36)	59201-3501	1
WASHER (Ref # 37)	92022-3536	1
KIT-BRACKET-FRNT SUSP (Ref # 38)	99970-3523	1
SHAFT-PIVOT (Ref # 39)	39116-3501	1
SPRING-SUSP-LH (Ref # 40)	92081-3531	1
SPRING-SUSP-RH (Ref # 40)	92081-3530	1
SHAFT-PIVOT (Ref # 41)	39116-3502	1
RIVET (Ref # 47)	534YW0608	1
BOLT (Ref # 48)	119BA1028	1
PLATE-SPRING (Ref # 49)	13169-3517	1
CAM-SPRING-FRONT (Ref # 50)	49060-3507	1
SPACER (Ref # 51)	92026-3523	1
STRIP-RAIL-WEAR (Ref # 52)	39139-3502	1
WHEEL-ASSY-FRNT IDLER (Ref # 54)	41073-3504	1
.WHEEL-IDLER (Ref # 58)	39153-3506	1
NUT (Ref # 61)	350BA0800	1
WASHER (Ref # 62)	413EA0800	1
BOLT (Ref # 63)	119BA0816	1
SHOCK ABSORBER-SUSP (Ref # 65)	45014-3501	1
BUSHING-SHOCK ABSORB (Ref # 66)	92028-3502	1
SLEEVE-SHOCK ABSORBER (Ref # 67)	42036-3502	1
CAM-SHOCK ABSORBER (Ref # 68)	49060-3501	1
SPRING-SHOCK ABSORBER (Ref # 69)	92081-3515	1

1979 Invader 340 PARTS LIST

SUSPENSION

ITEM NAME	PART NUMBER	QUANTITY
RETAINER-SPRING (Ref # 70)	39108-3503	1
KIT-SUSP-HD SPRING (Ref # 71)	99970-3501	1
.RETAINER-SPRING (Ref # 72)	39108-3502	1
.SPRING-COMPRESSION HD (Ref # 73)	92081-3524	1
SPACER (Ref # 74)	92026-3525	1
LIMITER-FRONT STRAP (Ref # 75)	39076-3502	1
WASHER (Ref # 76)	92022-3535	1
SPACER (Ref # 77)	92026-3524	1
SCREW (Ref # 78)	92009-3531	1
KIT-TRACK \$\$ (Ref # 79)	99970-3542	1