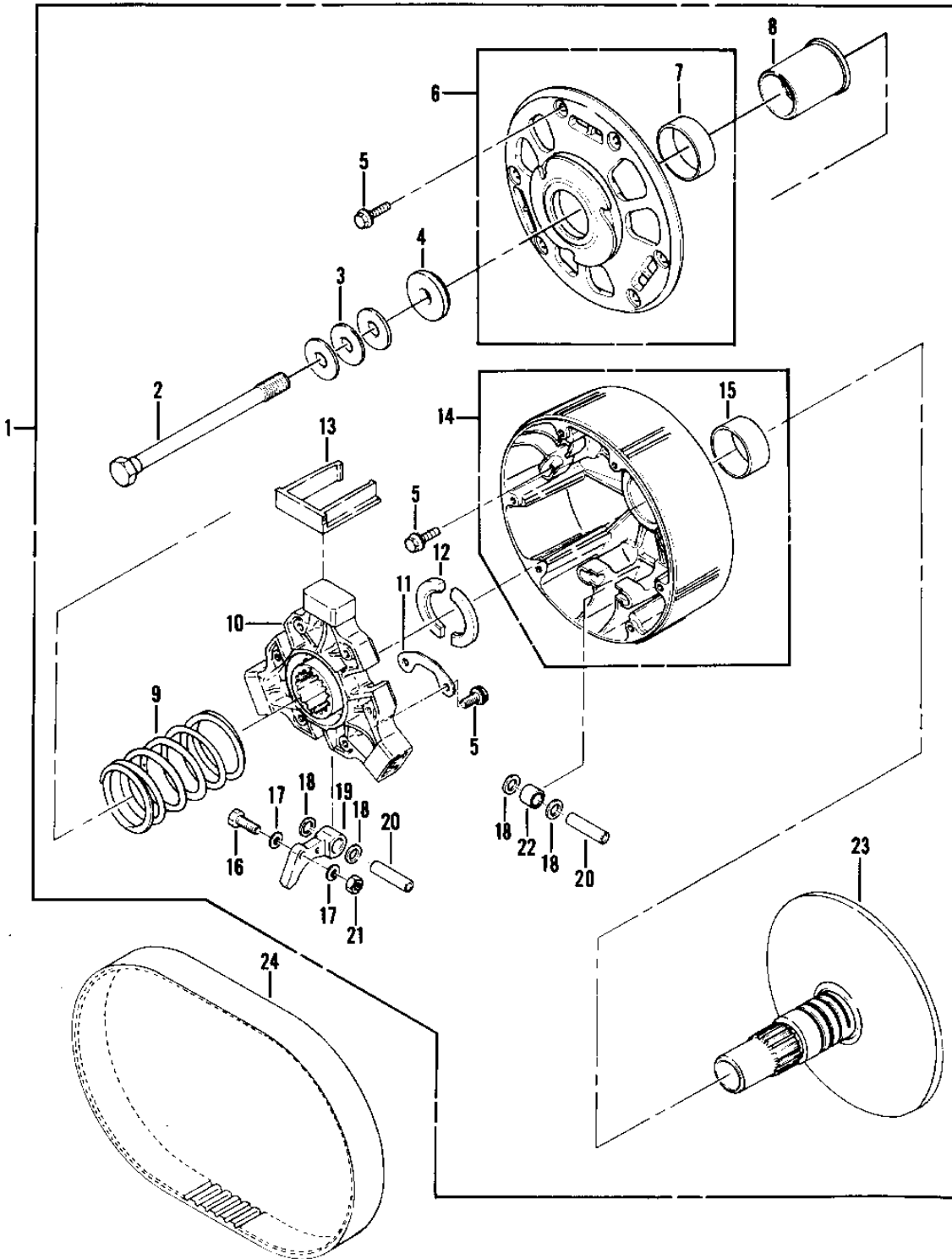


## 1979 Invader 340 PARTS DIAGRAM

DRIVE CONVERTER

Drive Con



Ref.  
No.

1

2

3

4

5

6

7

8

9

10

11

12

13

14

15

16

17

18

19

20

21

22

23

24

## 1979 Invader 340 PARTS LIST

### DRIVE CONVERTER

ITEM NAME	PART NUMBER	QUANTITY
CONVERTOR-DRIVE (Ref # 1)	49093-3006	1
BOLT (Ref # 2)	92001-3013	1
WASHER (Ref # 3)	92022-3015	1
WASHER (Ref # 4)	92022-3017	1
BOLT (Ref # 5)	92001-3020	1
COVER-MOVABLE SHEAVE (Ref # 6)	14025-3001	1
BUSHING-CONVER COVER (Ref # 7)	92028-3008	1
SLEEVE-CONVERTER COVR (Ref # 8)	42036-3004	1
SPRING-YELL-DRIVE (Ref # 9)	92081-3001	1
SPRING-PINK-DRIVE (Ref # 9)	92081-3004	1
SPRING-RED-DRIVE (Ref # 9)	92081-3005	1
SPRING-BLUE-DRIVE (Ref # 9)	92081-3006	1
SPRING-BLACK-DRIVE (Ref # 9)	92081-3002	1
.SPIDER (Ref # 10)	49050-3003	1
.WASHER (Ref # 11)	92022-3016	1
.WASHER (Ref # 12)	92022-3001	1
.GUIDE (Ref # 13)	13070-1185	1
.SHEAVE-MOVABLE-DRIVE (Ref # 14)	59301-3001	1
..BUSHING-MOVABLE SHEAV (Ref # 15)	92028-3001	1
.BOLT (Ref # 16)	92001-3015	1
.BOLT-UPSET,6X20 (Ref # 16)	112G0620	1
.BOLT,HEX HEAD,6X28 (Ref # 16)	110G0628	1
.WEIGHT-G=1.00 (Ref # 17)	13042-3002	1
.WEIGHT-G= .05 (Ref # 17)	13042-3001	1
.SPACER (Ref # 18)	92026-3001	1
.WEIGHT-RAMP (Ref # 19)	39152-3005	1
.PIN-MOVABLE SHEAVE (Ref # 20)	92043-3001	1
.NUT (Ref # 21)	92019-008	1
.ROLLER-ASSY (Ref # 22)	92122-3011	1

## 1979 Invader 340 PARTS LIST

DRIVE CONVERTER

ITEM NAME	PART NUMBER	QUANTITY
.SHEAVE-FIXED-DRIVE (Ref # 23)	59302-3001	1
BELT-DRIVE (Ref # 24)	59011-3502	1