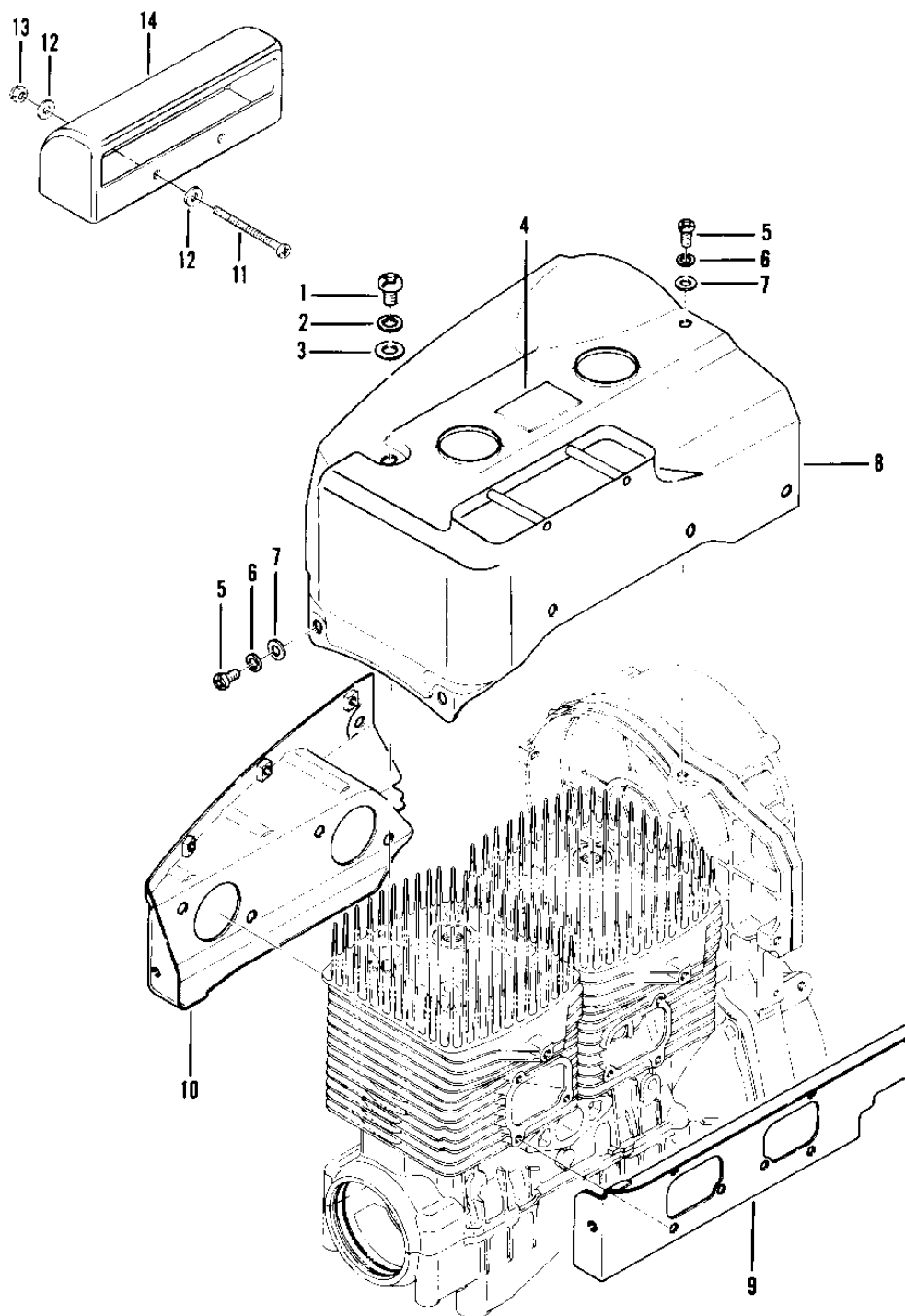


1979 Drifter 340 PARTS DIAGRAM

ENGINE AIR SHROUD



SA340-A3/SB440-A3

1979 Drifter 340 PARTS LIST

ENGINE AIR SHROUD

ITEM NAME	PART NUMBER	QUANTITY
SCREW 8X12 (Ref # 1)	214B0812	1
WASHER SPRING 8MM (Ref # 2)	461F0800	1
WASHER PLAIN 8MM (Ref # 3)	410B0800	1
LABEL-HORSEPOWER (Ref # 4)	56030-3001	1
SCREW 6X10 (Ref # 5)	214B0610	1
WASHER SPRING 6MM (Ref # 6)	461F0600	1
WASHER PLAIN 6MM (Ref # 7)	410B0600	1
SHROUD-ENGINE MAIN (Ref # 8)	49089-3001-9H	1
SHROUD-ENGINE INTAKE (Ref # 9)	49089-3003-9H	1
SHROUD-ENGINE EXHAUST (Ref # 10)	49089-3002-9H	1
SCREW (Ref # 11)	92009-3533	1
WASHER (Ref # 12)	412EA0600	1
NUT (Ref # 13)	350BA0600	1
DUCT-AIR OUTLET (Ref # 14)	14073-3516	1