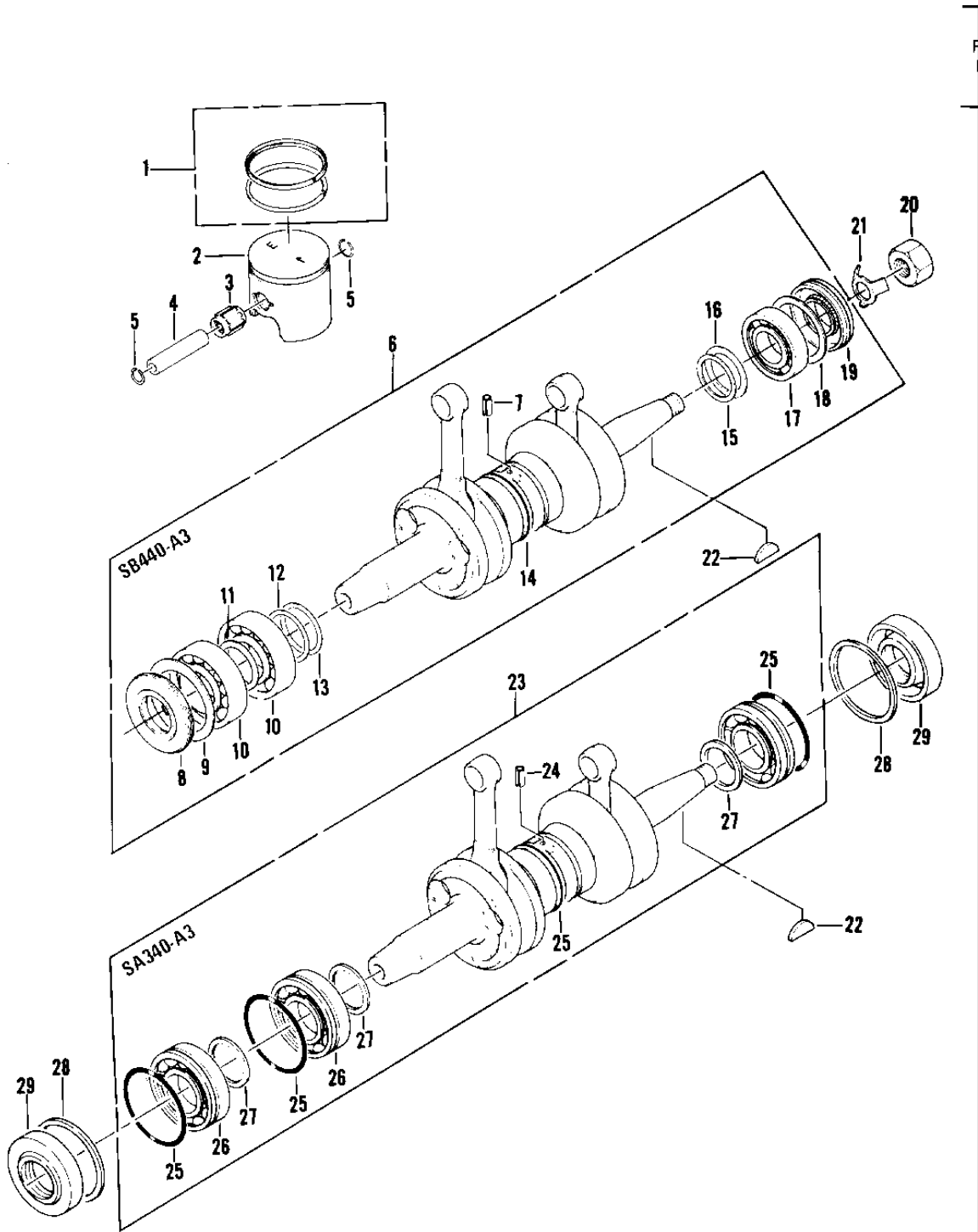


## 1979 Drifter 340 PARTS DIAGRAM

PISTON & CRANKSHAFT



**SA340-A3/SB440-A3**

## 1979 Drifter 340 PARTS LIST

### PISTON & CRANKSHAFT

ITEM NAME	PART NUMBER	QUANTITY
RING-PISTON-SET (Ref # 1)	13008-3004	1
PISTON (Ref # 2)	13001-3004	1
BEARING-SMALL END (Ref # 3)	13033-3005	1
PIN-PISTON (Ref # 4)	13002-505	1
CIRCLIP PISTON PIN (Ref # 5)	92036-004	1
NUT 18M/M (Ref # 20)	315B1800A	1
WASHER (Ref # 21)	92022-3019	1
WOODRUFF KEY (Ref # 22)	510A5200	1
*** N.L.A.*** (Canada) (Ref # 23)	13031-3010	1
.PIN,DOWEL (Ref # 24)	551A0410	1
.O-RING (Ref # 25)	92055-504	1
.BEARING-BALL (Ref # 26)	92045-505	1
.SHIM 0.1T (Ref # 27)	92025-513	1
.SHIM 0.2T (Ref # 27)	92025-518	1
.SHIM 0.3T (Ref # 27)	92025-523	1
.SHIM 0.4T (Ref # 27)	92025-527	1
.SHIM 0.5T (Ref # 27)	92025-530	1
.SHIM 0.6T (Ref # 27)	92025-533	1
WASHER (Ref # 28)	92022-3021	1
SEAL,OIL TCY306210 (Ref # 29)	92050-507	1