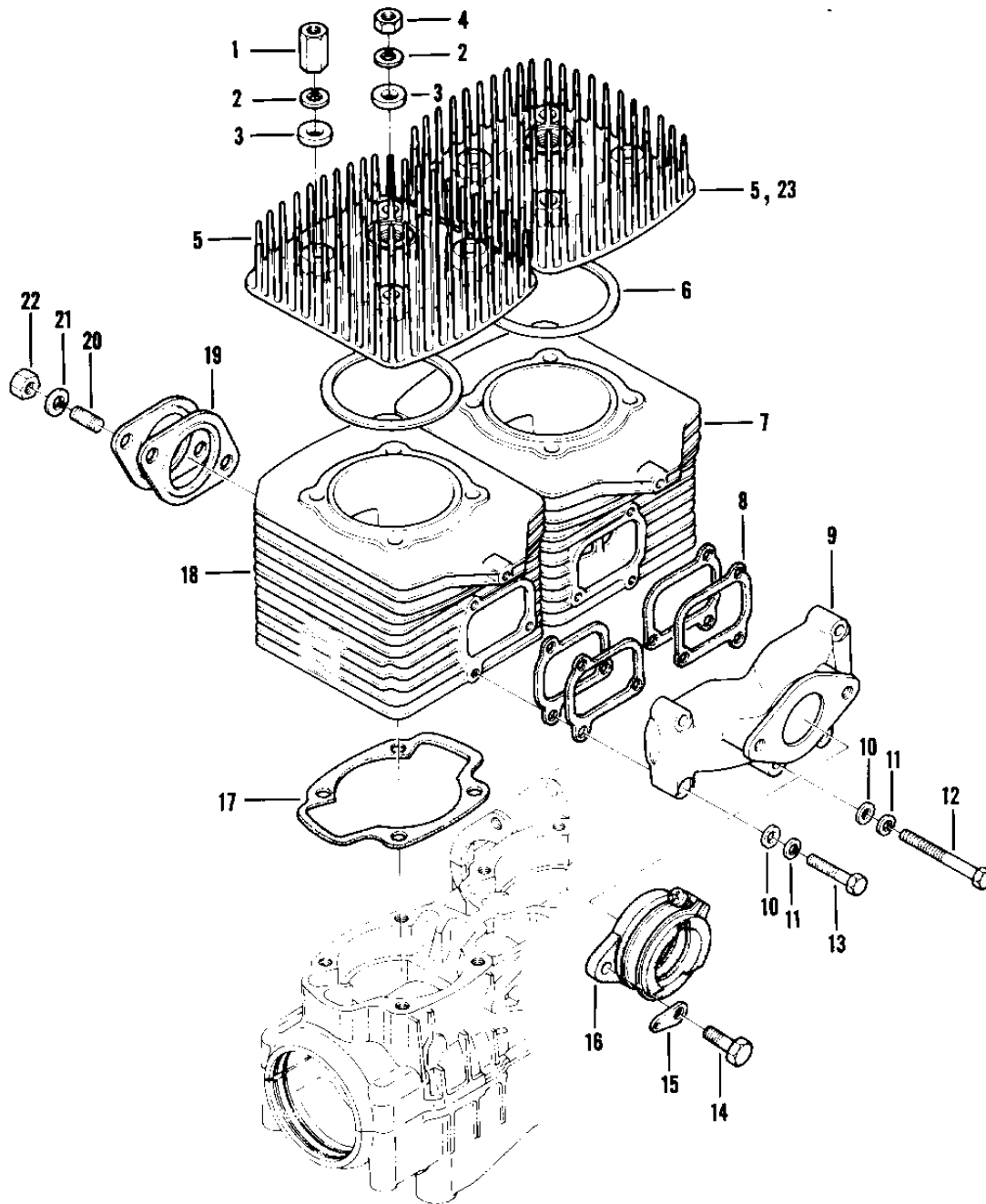


1979 Drifter 340 PARTS DIAGRAM

CYLINDER HEAD, CYLINDER



SA340-A3/SB440-A3

R
N

E

1979 Drifter 340 PARTS LIST

CYLINDER HEAD, CYLINDER

ITEM NAME	PART NUMBER	QUANTITY
NUT (Ref # 1)	92015-502	1
WASHER SPRING 8MM (Ref # 2)	461F0800	1
WASHER (Ref # 3)	92022-503	1
NUT,8MM (Ref # 4)	311B0800	1
HEAD-CYLINDER (Ref # 5)	11001-514	1
GASKET-HEAD (Ref # 6)	11004-507	1
CYLINDER-ENGINE (Ref # 7)	11005-3004	1
GASKET,INTAKE (Ref # 8)	11009-3785	1
MANIFOLD-INTAKE (Ref # 9)	59076-3001	1
WASHER PLAIN 6MM (Ref # 10)	410B0600	1
WASHER SPRING 6MM (Ref # 11)	461F0600	1
BOLT,6X70 (Ref # 12)	110G0670	1
BOLT-UPSET (Ref # 13)	112G0645	1
BOLT-SMALL-UPSET 8X25 (Ref # 14)	115G0825	1
WASHER (Ref # 15)	92022-3007	1
HOLDER-CARBURETOR (Ref # 16)	16065-3014	1
GASKET-CYLINDER (Ref # 17)	11009-505	1
CYLINDER-ENGINE (Ref # 18)	11005-3003	1
GASKET-EXHAUST (Ref # 19)	18067-501	1
STUD 8X20 (Ref # 20)	172G0820	1
WASHER SPRING 8MM (Ref # 21)	461S0800	1
NUT,8 M/M (Ref # 22)	311M0800	1
HEAD-CYLINDER (Ref # 23)	11001-3008	1