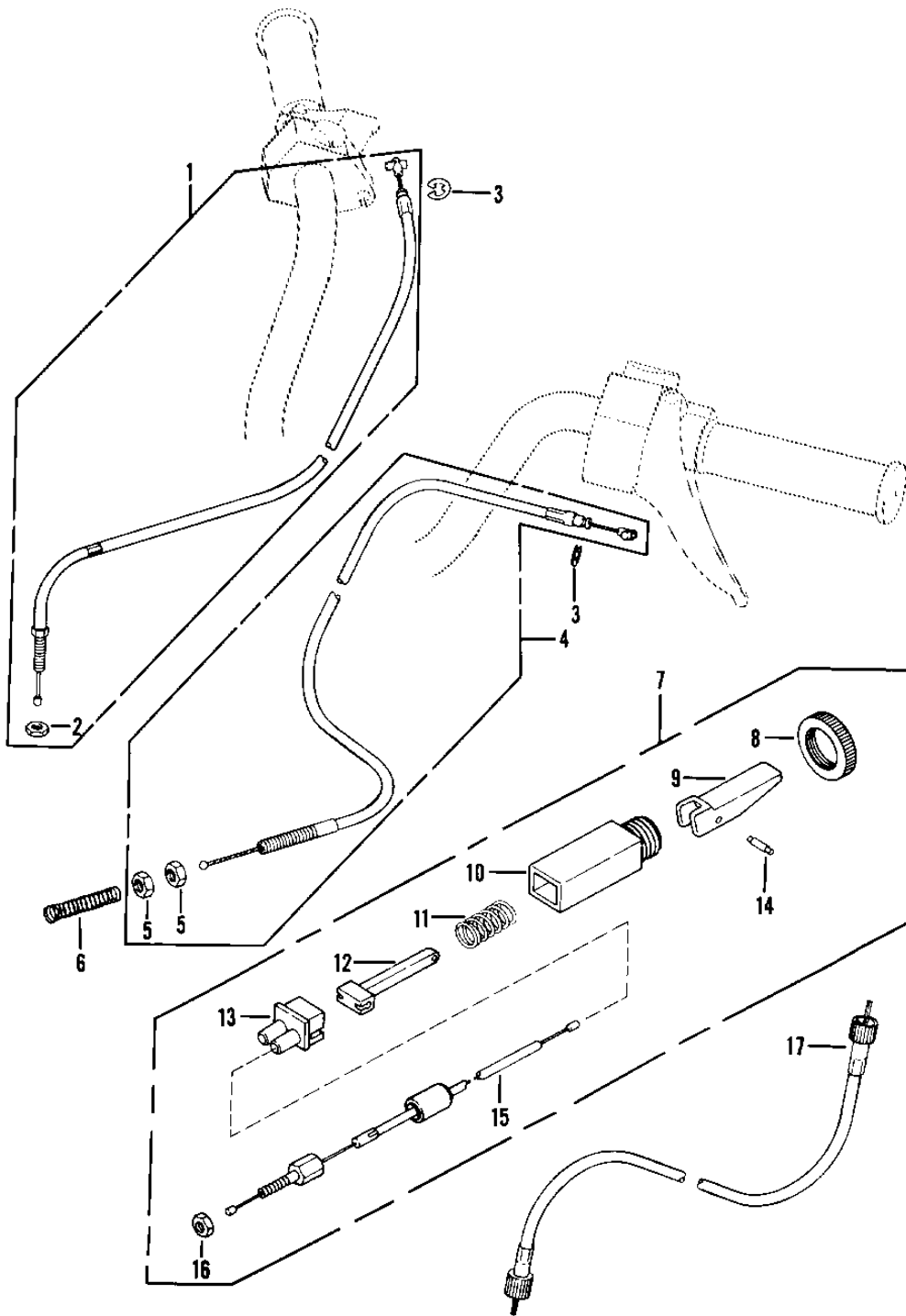


1979 Drifter 340 PARTS DIAGRAM

CABLES



SA340-A3/SB440-A3

D

1979 Drifter 340 PARTS LIST

CABLES

ITEM NAME	PART NUMBER	QUANTITY
CABLE-THROTTLE (Ref # 1)	54012-3527	1
.NUT (Ref # 2)	92015-3512	2
RING-SNAP (Ref # 3)	92033-3502	1
CABLE-BRAKE (Ref # 4)	54005-3502	1
.NUT (Ref # 5)	344BA1000	1
SPRING-BRAKE (Ref # 6)	070227	1
CABLE-LEVER-PRIMING (Ref # 7)	39030-3504	1
.NUT (Ref # 8)	92015-3525	1
.HOUSING-ASSY (Ref # 9)	13227-3545	6
.CABLE-ASSY-PRIMING (Ref # 15)	39030-3505	1