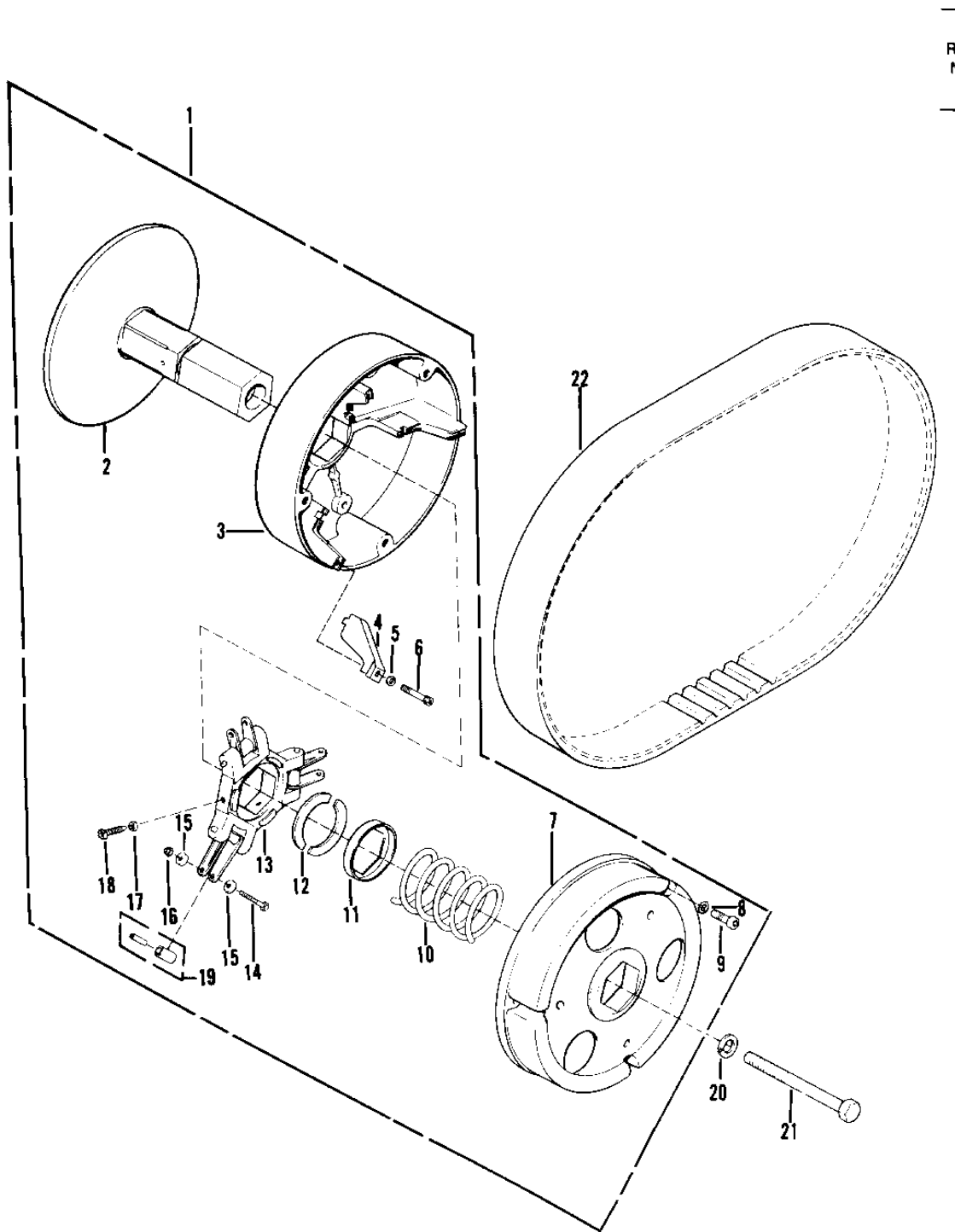


1979 Drifter 340 PARTS DIAGRAM

DRIVE CONVERTER



SA340-A3/SB440-A3

1979 Drifter 340 PARTS LIST

DRIVE CONVERTER

ITEM NAME	PART NUMBER	QUANTITY
CONVERTER-DRIVE (Ref # 1)	49093-3502	1
.SHEAVE-FIXED (Ref # 2)	59296-3502	1
.SHEAVE-MOVEABLE (Ref # 3)	59301-3502	1
.RAMP-DRIVEN (Ref # 4)	49092-3502	1
.WASHER (Ref # 5)	465FA0500	1
.SCREW (Ref # 6)	92009-3541	1
.HOUSING-SHEAVE-PRI (Ref # 7)	13095-3501	1
.WASHER (Ref # 8)	465FA1000	1
.SCREW (Ref # 9)	92009-3542	1
.SPRING-GRN-DRIVE (Ref # 10)	92081-3541	1
.SPRING-YELL-DRIVE (Ref # 10)	92081-3553	1
SPRING-RED-DRIVE (Ref # 10)	92081-3561	1
.WASHER (Ref # 11)	92022-3554	1
.RING-SPLIT (Ref # 12)	43058-3505	1
.SPIDER-ASSY \$\$ (Ref # 13)	49050-3504	1
.PIN (Ref # 14)	92043-3516	2
.WEIGHT-G=7.858 (Ref # 15)	13042-3501	1
.WEIGHT-G=5.958 (Ref # 15)	13042-3502	1
WEIGHT-G=8.800 (Ref # 15)	13042-3504	1
WEIGHT-G=6.922 (Ref # 15)	13042-3507	1
WEIGHT-G=6.475 (Ref # 15)	13042-3505	1
WEIGHT-G=5.457 (Ref # 15)	13042-3503	1
WEIGHT-G=4.958 (Ref # 15)	13042-3508	1
WEIGHT-G=4.479 (Ref # 15)	13042-3506	1
.NUT (Ref # 16)	92015-3516	1
.NUT (Ref # 17)	346AA0600	1
.SCREW (Ref # 18)	92009-3540	1
.BUSHING-ASSY-ROLLER (Ref # 19)	99970-3520	1
WASHER (Ref # 20)	465FA1600	1

1979 Drifter 340 PARTS LIST

DRIVE CONVERTER

ITEM NAME	PART NUMBER	QUANTITY
BOLT (Ref # 21)	92001-3532	1
BELT-DRIVE (Ref # 22)	59011-3503	1