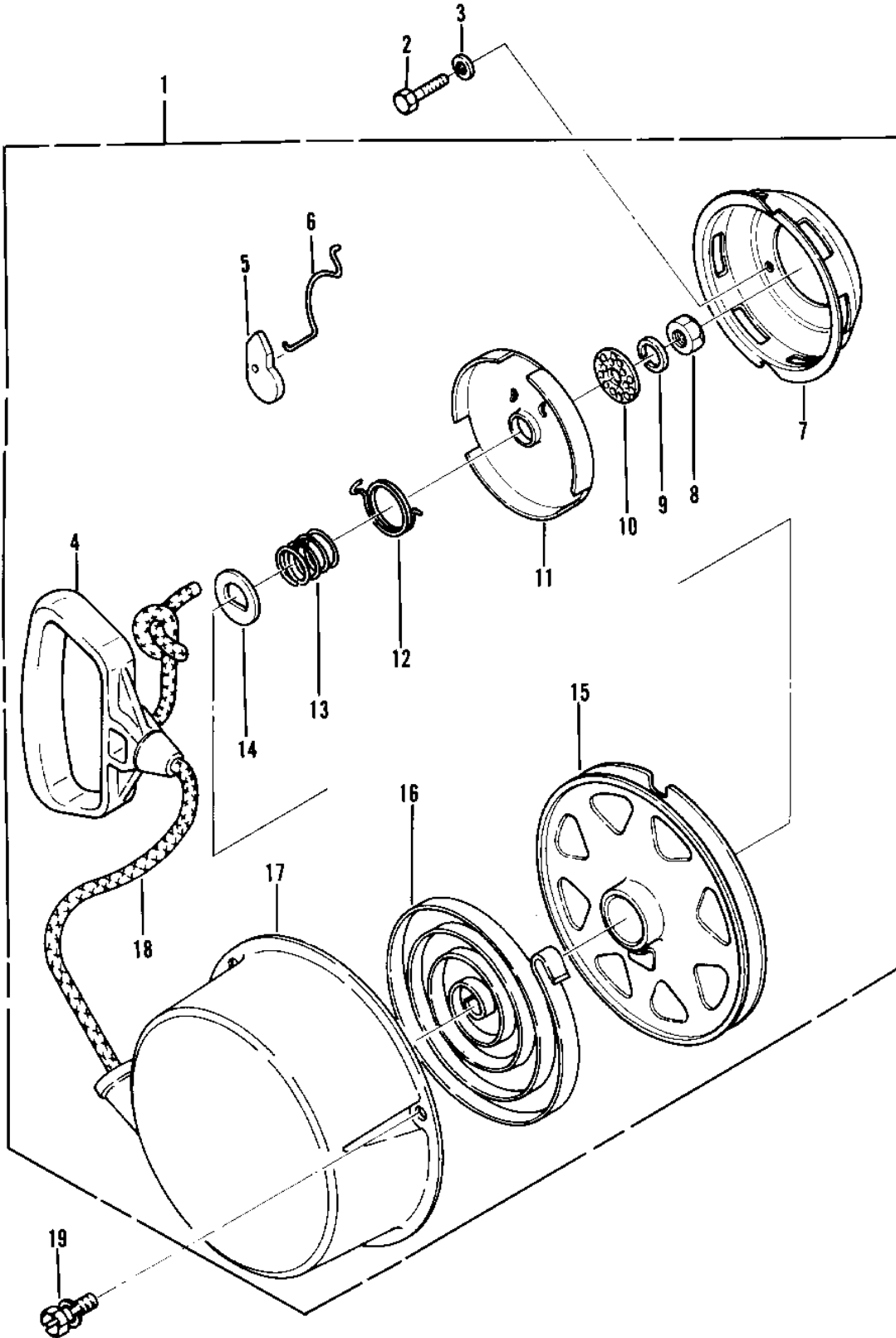


## 1977 Drifter 340 PARTS DIAGRAM

RECOLL STARTER (KAWASAKI)



1  
1  
1  
1  
1  
1  
1  
1  
1  
1

## 1977 Drifter 340 PARTS LIST

RECOIL STARTER (KAWASAKI)

ITEM NAME	PART NUMBER	QUANTITY
STARTER-RECOIL (Ref # 1)	49088-3003-9H	1
BOLT-UPSET (Ref # 2)	112G0618	1
WASHER SPRING 6MM (Ref # 3)	461F0600	1
GRIP-RECOIL STARTER (Ref # 4)	46075-3001	1
PAWL-RECOIL (Ref # 5)	13069-504	1
SPRING-PAWL (Ref # 6)	92081-503	1
PULLEY-RECOIL (Ref # 7)	59091-510	1
NUT 8MM (Ref # 8)	92015-513	1
WASHER-SPRING (Ref # 9)	92029-503	1
WASHER 1.6T (Ref # 10)	92022-564	1
PLATE-FRICTION (Ref # 11)	23072-506	1
SPRING-RETURN (Ref # 12)	92081-512	1
SPRING-FRICTION (Ref # 13)	92081-508	1
WASHER (Ref # 14)	92095-503	1
REEL-RECOIL (Ref # 15)	59101-506	1
SPRING-RECOIL (Ref # 16)	92081-517	1
CASE-RECOIL (Ref # 17)	59021-508-9H	1
ROPE-RECOIL (Ref # 18)	59106-505	1
BOLT (Ref # 19)	92001-3023	1