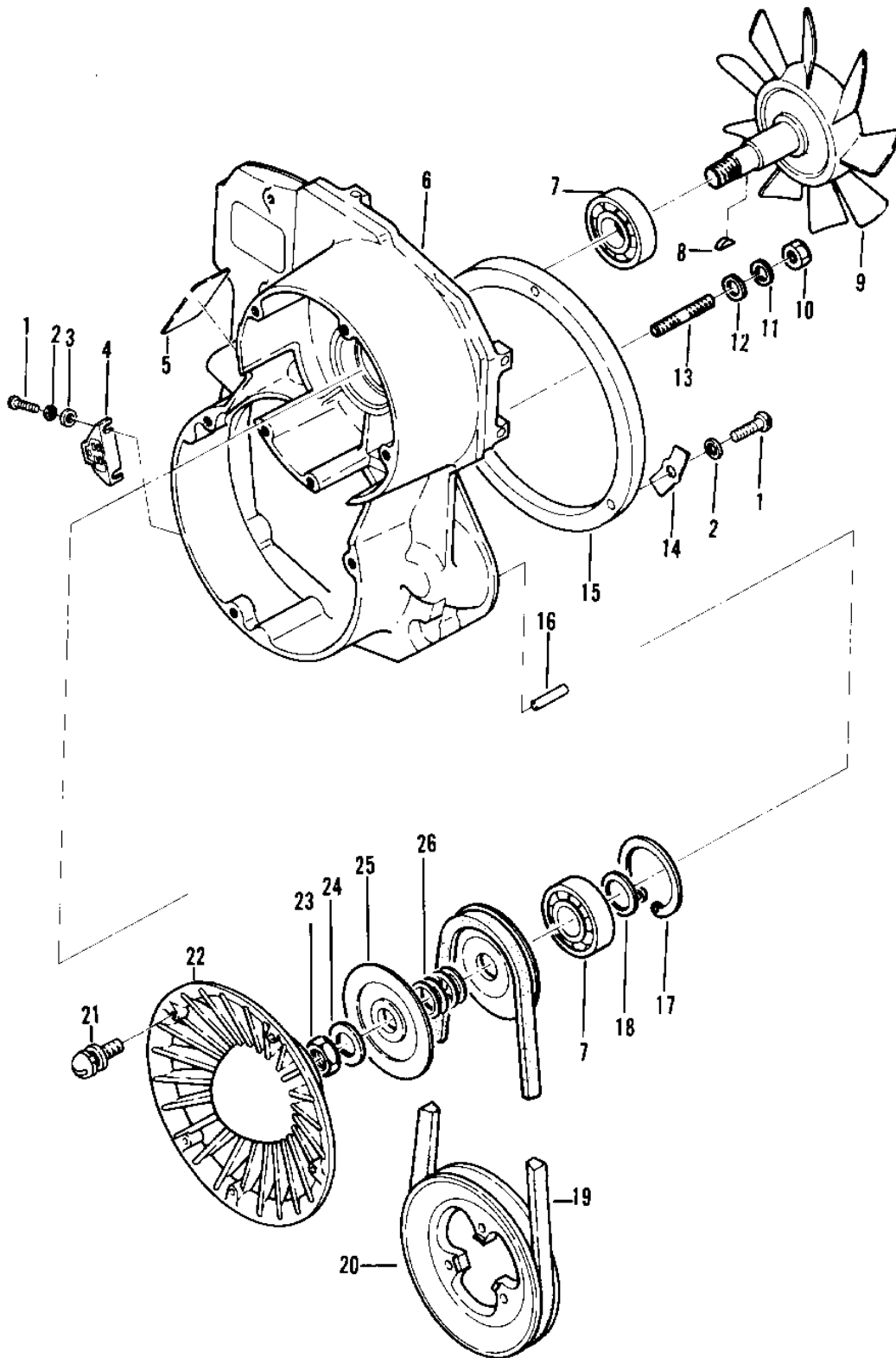


1977 Drifter 340 PARTS DIAGRAM

FAN CASE (KAWASAKI ENGINE)



1977 Drifter 340 PARTS LIST

FAN CASE (KAWASAKI ENGINE)

ITEM NAME	PART NUMBER	QUANTITY
SCREW PAN HEAD 4X10 (Ref # 1)	220B0410	1
WASHER SPRING 4MM (Ref # 2)	461F0400	1
WASHER (Ref # 3)	92022-558	1
CONNECTOR-HARNESS (Ref # 4)	020518	1
LABEL,HORSEPOWER (Ref # 5)	56039-3002	1
HOUSING-FAN (Ref # 6)	59066-3001	1
BEARING-BALL (Ref # 7)	92045-501	1
WOODRUFF KEY (Ref # 8)	510A3200	1
FAN-ASSY-COOLING (Ref # 9)	59041-501	1
NUT,8MM (Ref # 10)	311B0800	1
WASHER SPRING 8MM (Ref # 11)	461F0800	1
WASHER PLAIN 8MM (Ref # 12)	410B0800	1
STUD 8X20 (Ref # 13)	172G0820	1
WASHER (Ref # 14)	92022-545	1
PLATE-SEAL (Ref # 15)	13190-502	1
PIN,DOWEL,6X12 (Ref # 16)	551A0612	1
CIRCLIP,47M/M (Ref # 17)	92033-1042	1
SHIM-1.0T (Ref # 18)	92025-529	1
BELT-FAN (Ref # 19)	59011-502	1
PULLY-FAN (Ref # 20)	59091-515	1
SCREW 4X20 (Ref # 21)	234B0420A	1
SCREEN-FAN (Ref # 22)	14037-503	1
NUT 14MM (Ref # 23)	315B1400	1
WASHER SPRING 14MM (Ref # 24)	461F1400	1
PULLEY,FAN (Ref # 25)	59091-501	1
SHIM-0.06T (Ref # 26)	92025-501	1