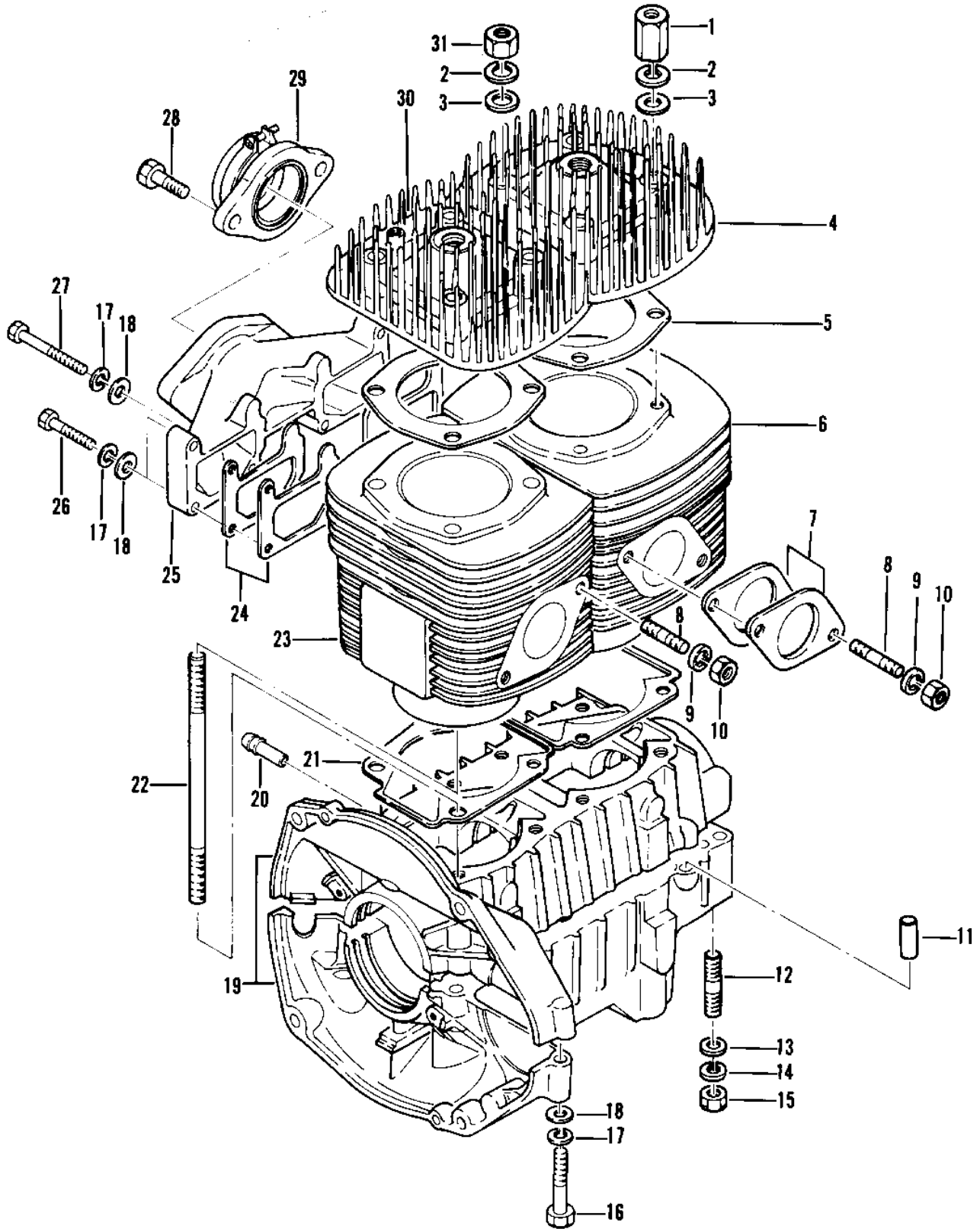


## 1977 Drifter 340 PARTS DIAGRAM

CRANKCASE & CYLINDER (KAWASAKI ENGINE)



## 1977 Drifter 340 PARTS LIST

CRANKCASE & CYLINDER (KAWASAKI ENGINE)

ITEM NAME	PART NUMBER	QUANTITY
NUT (Ref # 1)	92015-502	1
WASHER SPRING 8MM (Ref # 2)	461F0800	2
WASHER (Ref # 3)	92022-503	1
HEAD-CYLINDER (Ref # 4)	11001-514	1
GASKET-HEAD (Ref # 5)	11004-507	1
CYLINDER-ENGINE (Ref # 6)	11005-3003	1
GASKET-EXHAUST (Ref # 7)	18067-501	1
STUD 8X20 (Ref # 8)	172G0820	1
WASHER SPRING 8MM (Ref # 9)	461S0800	1
NUT,8 M/M (Ref # 10)	311M0800	1
PIN DOWEL 8X16 (Ref # 11)	551A0816	1
STUD 8X55 (Ref # 12)	172H0855	1
WASHER PLAIN 8MM (Ref # 13)	410B0800	1
NUT,8MM (Ref # 15)	311B0800	2
BOLT-UPSET,6X40 (Ref # 16)	112G0640	1
WASHER SPRING 6MM (Ref # 17)	461F0600	1
WASHER PLAIN 6MM (Ref # 18)	410B0600	1
CRANKCASE-SET (Ref # 19)	14001-3001	1
PIPE-PULSER (Ref # 20)	32032-3001	1
GASKET-CYLINDER (Ref # 21)	11009-505	1
STUD (Ref # 22)	92004-504	1
CYLINDER-ENGINE (Ref # 23)	11005-3004	1
GASKET,INTAKE (Ref # 24)	11009-3785	1
MANIFOLD-INTAKE (Ref # 25)	59076-3001	1
BOLT-UPSET (Ref # 26)	112G0645	1
BOLT,6X70 (Ref # 27)	110G0670	1
BOLT-SMALL-UPSET 8X25 (Ref # 28)	115G0825	1
HOLDER,CARBURETOR (Ref # 29)	16065-3001	1
HEAD-CYLINDER (Ref # 30)	11001-3008	1