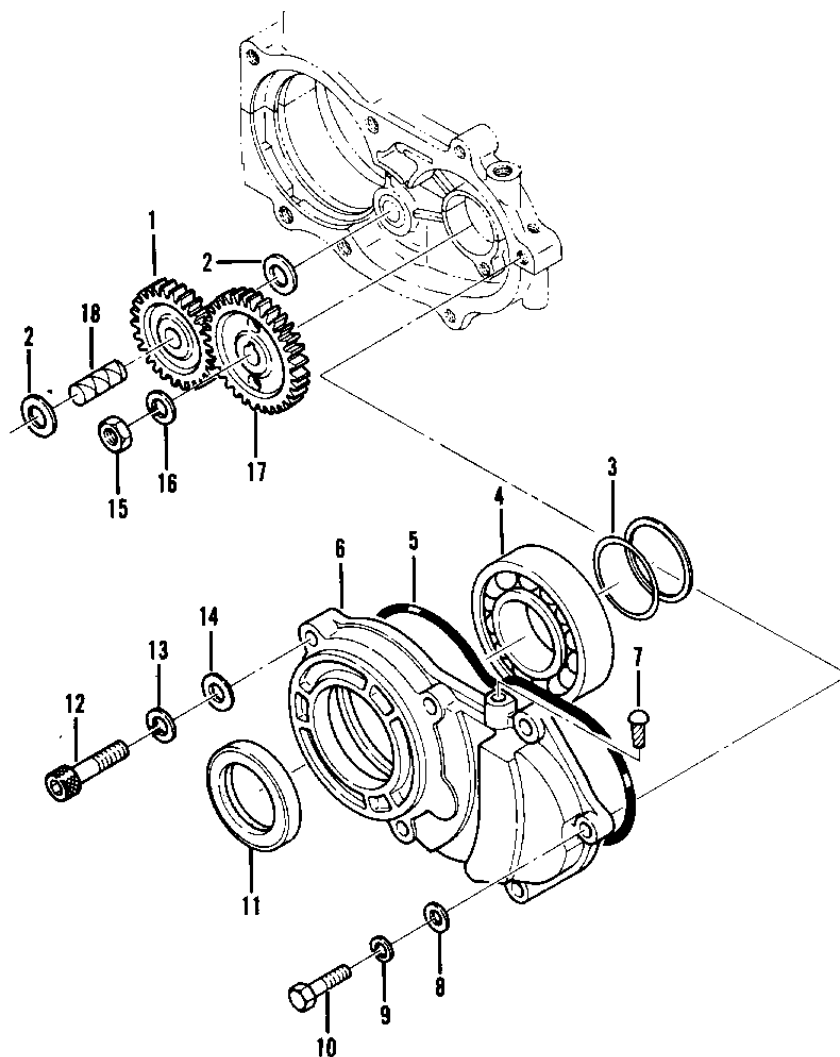


1978 Invader 340 PARTS DIAGRAM

ENGINE GEAR CASE



SS340-A1/SS440-A1/ST440-A1

1978 Invader 340 PARTS LIST

ENGINE GEAR CASE

ITEM NAME	PART NUMBER	QUANTITY
GEAR-IDLE 27T (Ref # 1)	59051-3002	1
SPACER (Ref # 2)	92026-3005	1
SHIM-0.2T (Ref # 3)	92025-3007	1
SHIM-0.6T (Ref # 3)	92025-3008	1
SHIM-1.0T (Ref # 3)	92025-3009	1
SHIM-1.4T (Ref # 3)	92025-3010	1
BEARING-BALL (Ref # 4)	92045-3004	1
RING-O (Ref # 5)	92055-3003	1
HOUSING-GEAR (Ref # 6)	14055-3002	1
SCREW RIVET (Ref # 7)	92099-001	1
WASHER PLAIN 6MM (Ref # 8)	411B0600	1
WASHER SPRING 6MM (Ref # 9)	461F0600	1
BOLT-UPSET (Ref # 10)	112G0625	1
SEAL-OIL (Ref # 11)	92049-3002	1
BOLT (Ref # 12)	120P0835	1
WASHER SPRING 8MM (Ref # 13)	461F0800	2
WASHER PLAIN 8MM (Ref # 14)	410B0800	1
NUT 8MM (Ref # 15)	312B0800	1
GEAR-OIL PUMP 32T (Ref # 17)	59051-3003	1
SHAFT-IDLER (Ref # 18)	39115-3001	1