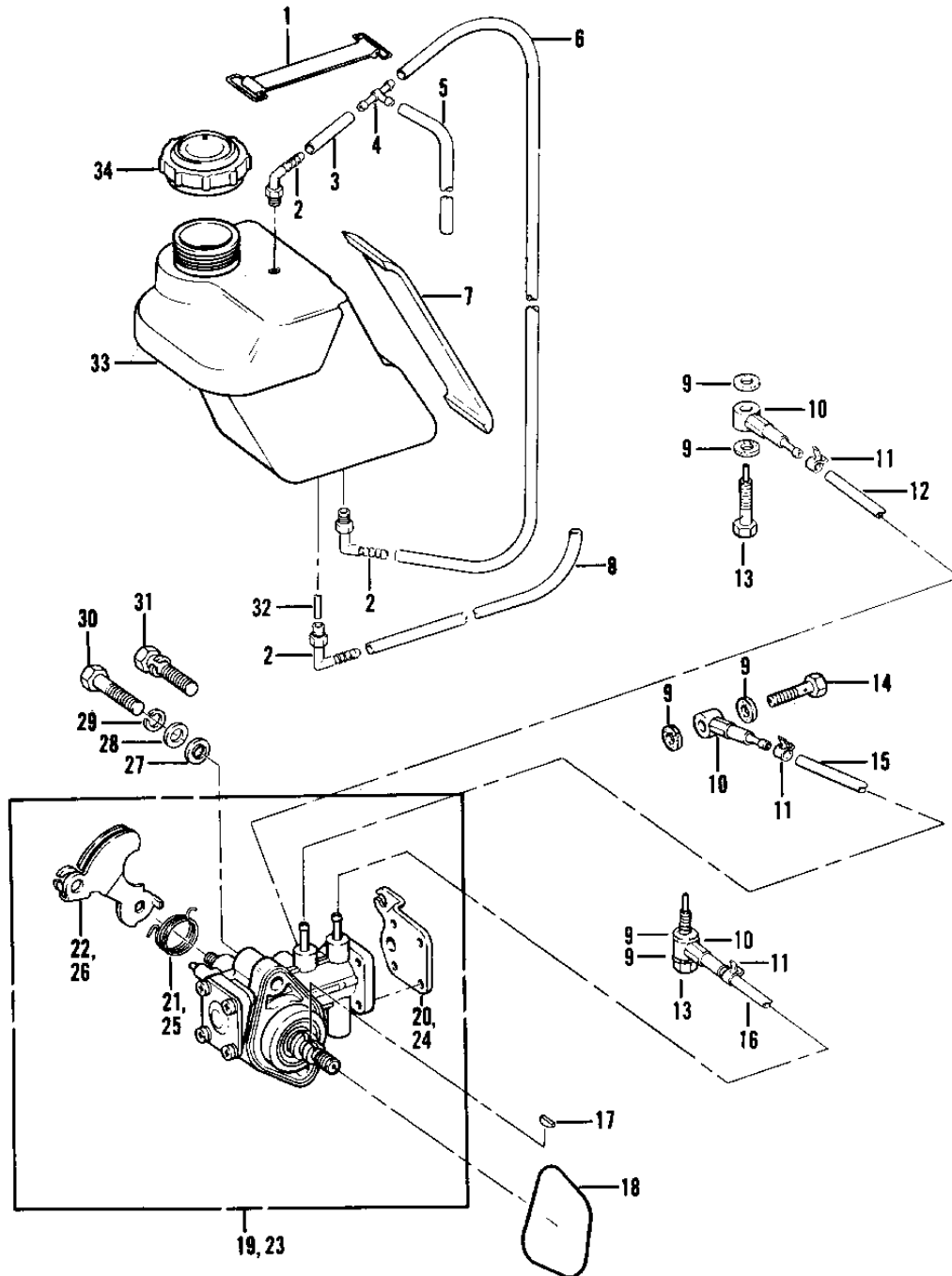


1978 Invader 340 PARTS DIAGRAM

LUBRICATION SYSTEM



SS340-A1/SS440-A1/ST440-A1

E

1978 Invader 340 PARTS LIST

LUBRICATION SYSTEM

ITEM NAME	PART NUMBER	QUANTITY
BAND (Ref # 1)	92072-3502	1
FITTING-OIL TANK (Ref # 2)	92005-3505	1
UNAVAILABLE IN PRICE BOOK (Ref # 3)	92059-3634	1
FITTING-FUEL PUMP (Ref # 4)	92005-3506	1
UNAVAILABLE IN PRICE BOOK (Ref # 5)	92059-3631	1
UNAVAILABLE IN PRICE BOOK (Ref # 6)	92050-3532	1
PAD-OIL TANK (Ref # 7)	39156-3502	1
UNAVAILABLE IN PRICE BOOK (Ref # 8)	92059-3633	1
GASKET-CHECK VALVE (Ref # 9)	92065-534	1
VALVE-CHECK (Ref # 10)	16087-3001	1
CLAMP-OIL TUBE (Ref # 11)	92037-3002	1
TUBE-CYLINDER RH (Ref # 12)	92059-3001	1
NOZZLE-OIL (Ref # 13)	92062-503	1
NOZZLE-CRANKCASE (Ref # 14)	92062-3001	1
TUBE-CRANKCASE (Ref # 15)	92059-3003	1
TUBE-CYLINDER LH (Ref # 16)	92059-3002	1
KEY-WOODRUFF (Ref # 17)	92038-3001	1
RING-O (Ref # 18)	92055-3005	1
PUMP-OIL (Ref # 19)	49042-3010	1
.PLATE-INLET (Ref # 20)	13169-3005	1
.SPRING,LEVER RETURN (Ref # 21)	92081-3007	1
.LEVER-CONTROL (Ref # 22)	13168-3001	1
WASHER-OIL PUMP (Ref # 27)	49091-3001	1
WASHER PLAIN 6MM (Ref # 28)	410B0600	1
BOLT-UPSET-WS,6X35 (Ref # 31)	180B0635	1
PIPE-PICKUP-FUEL TANK (Ref # 32)	32032-3518	1
TANK-OIL (Ref # 33)	52001-3501	1
CAP-OIL TANK (Ref # 34)	51049-3502	1