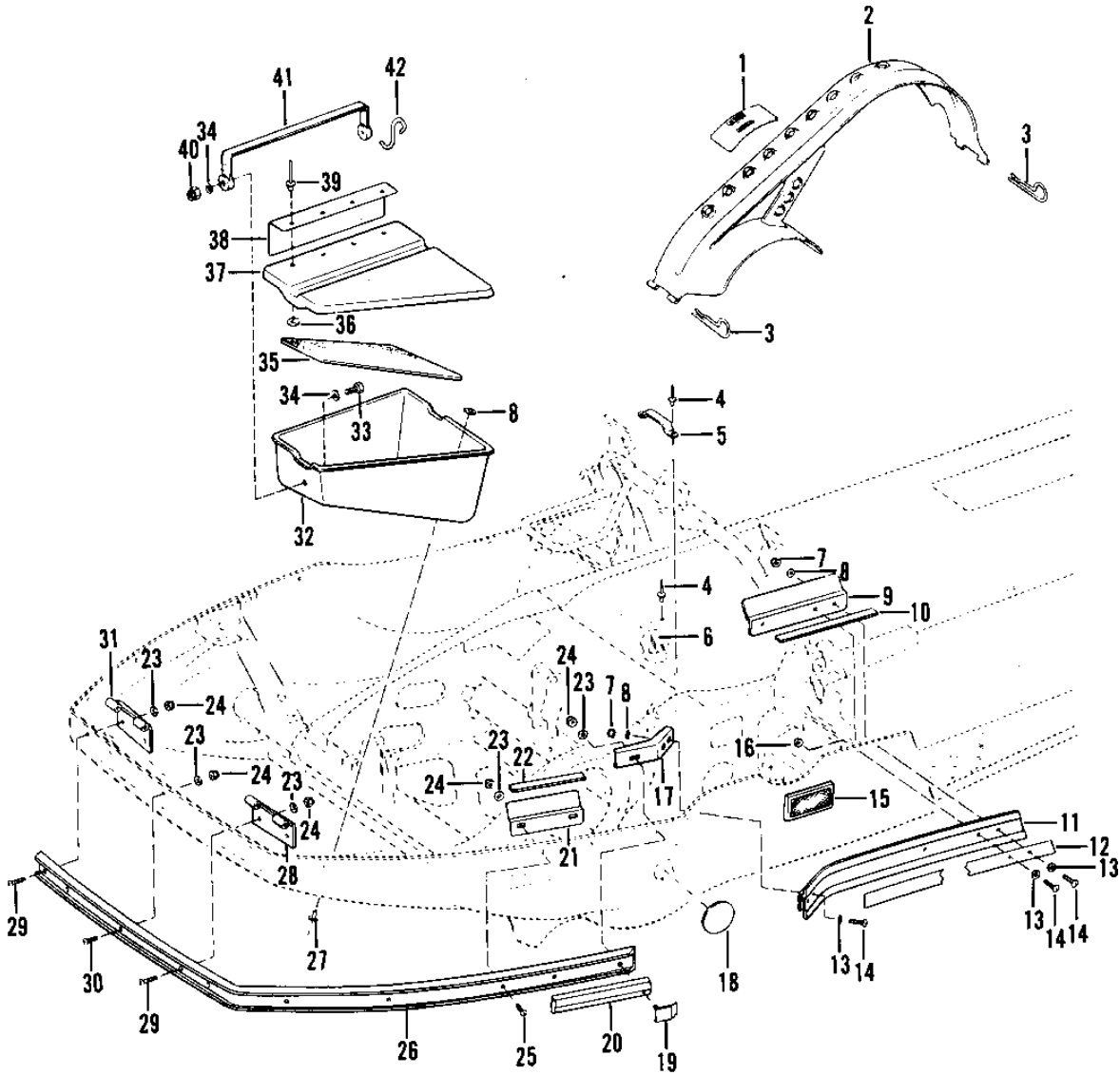


## 1978 Invader 340 PARTS DIAGRAM

CHASSIS 1 OF 3



SS340-A1/SS440-A1/ST440-A1

## 1978 Invader 340 PARTS LIST

CHASSIS 1 OF 3

ITEM NAME	PART NUMBER	QUANTITY
LABEL-WARN-GUARD (Ref # 1)	56040-3501	1
GUARD-COMP-CONVERTER (Ref # 2)	39056-3501	1
PIN-HAIR (Ref # 3)	39092-3502	1
RIVET (Ref # 4)	92039-3526	1
COVER-FUEL TUBE (Ref # 5)	14025-3501	1
MOUNT-FUEL PUMP (Ref # 6)	39169-3502	1
NUT (Ref # 7)	350BA0600	1
WASHER (Ref # 8)	412EA0600	1
GUIDE-HOOD (Ref # 9)	13070-3503	1
TRIM-SEAL 7.50 (Ref # 10)	39145-3502	1
GUIDE-COWL-LH (Ref # 11)	13070-3505	1
GUIDE-COWL-RH (Ref # 11)	13070-3504	1
PATTERN-GUIDE (Ref # 12)	56027-3502	1
WASHER (Ref # 13)	92022-3524	1
SCREW (Ref # 14)	92009-3515	1
REFLECTOR-ASSY-RED (Ref # 15)	28001-3502	1
NUT (Ref # 16)	92015-3517	1
BRACE-CHASSIS LH (Ref # 17)	35009-3502	1
BRACE-CHASSIS RH (Ref # 17)	35009-3501	1
PLUG-CONVERTER BOLT (Ref # 18)	92066-3503	1
CLAMP-BUMPER TRIM LH (Ref # 19)	92037-3505	1
CLAMP-BUMPER TRIM RH (Ref # 19)	92037-3504	1
TRIM-RUBBER INSERT (Ref # 20)	53044-3501	1
GUIDE-HOOD (Ref # 21)	13070-3506	1
TRIM-SEAL 5.00 (Ref # 22)	39145-3501	1
WASHER (Ref # 23)	412EA0800	1
NUT (Ref # 24)	350BA0800	1
SCREW (Ref # 25)	92009-3506	1
BUMPER-FRONT (Ref # 26)	39027-3501	1

## 1978 Invader 340 PARTS LIST

CHASSIS 1 OF 3

ITEM NAME	PART NUMBER	QUANTITY
RIVET (Ref # 27)	535XX0606	1
HINGE-LOWER LH (Ref # 28)	53009-3506	1
SCREW (Ref # 29)	92009-3516	1
SCREW (Ref # 30)	92009-3513	1
HINGE-LOWER RH (Ref # 31)	53009-3510	1
CASE-TOOL (Ref # 32)	32098-3501	1
BOLT (Ref # 33)	118AA0820	1
WASHER (Ref # 34)	413EA0800	1
PAD-STORAGE (Ref # 35)	39086-3501	1
WASHER (Ref # 36)	412EA0500	1
COVER-CASE TOOL (Ref # 37)	14025-3503	1
GUARD-TOOL CASE (Ref # 38)	55020-3501	1
RIVET (Ref # 39)	92039-3533	1
NUT (Ref # 40)	351BA0800	1
BAND (Ref # 41)	92072-3504	1
HOOK-BAND (Ref # 42)	27012-3502	1