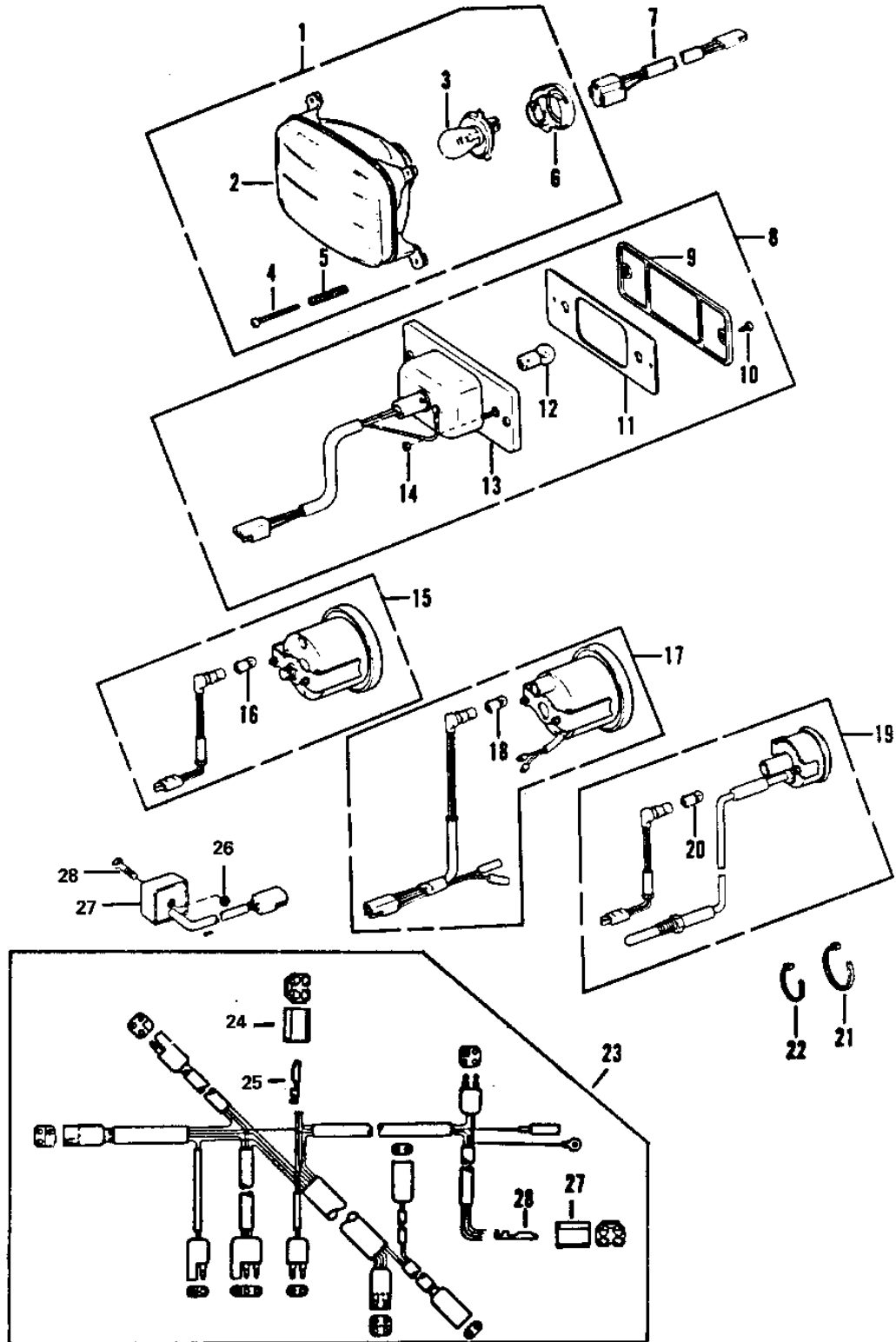


## 1978 Invader 340 PARTS DIAGRAM

INSTRUMENTS, LIGHTS & WIRING



SS340-A1/SS440-A1/ST440-A1

## 1978 Invader 340 PARTS LIST

INSTRUMENTS, LIGHTS & WIRING

ITEM NAME	PART NUMBER	QUANTITY
LAMP-HEAD (Ref # 1)	23001-3503	1
.LENS-COMP-HEADLAMP (Ref # 2)	23007-3501	1
.BULB-HEAD LAMP (Ref # 3)	92069-3501	1
BULB-QUARTZ (Ref # 3)	92069-3507	1
.SCREW (Ref # 4)	92009-3504	1
.SCREW (Ref # 4)	92009-3519	1
.SPRING-HDLMP ADJ (Ref # 5)	92081-3512	1
.RETAINER-BULB (Ref # 6)	14020-3505	1
HARNESS-HEADLAMP (Ref # 7)	26001-3505	1
LAMP-ASSY-TAIL (Ref # 8)	23025-3501	1
.LENS-TAIL LAMP (Ref # 9)	23026-3503	1
.SCREW (Ref # 10)	244DA0506	1
.GASKET-LENS-TAIL (Ref # 11)	11009-3505	1
.BULB-TAIL LAMP (Ref # 12)	92069-3502	1
.BODY-COMP-TAIL LAMP (Ref # 13)	23027-3502	1
.NUT (Ref # 14)	350BA0600	1
SPEEDOMETER (Ref # 15)	25005-3504	1
.BULB-INSTRUMENT (Ref # 16)	92069-3503	3
TACHOMETER (Ref # 17)	25015-3503	1
GAUGE-TEMPERATURE (Ref # 19)	52005-3504	1
BAND (Ref # 21)	92072-3505	1
BAND (Ref # 22)	92072-3501	1
HARNESS-MAIN (Ref # 23)	26001-3504	1
.UNAVAILABLE IN PRICE BOOK (Ref # 24)	?	4
.UNAVAILABLE IN PRICE BOOK (Ref # 25)	21100-?	1