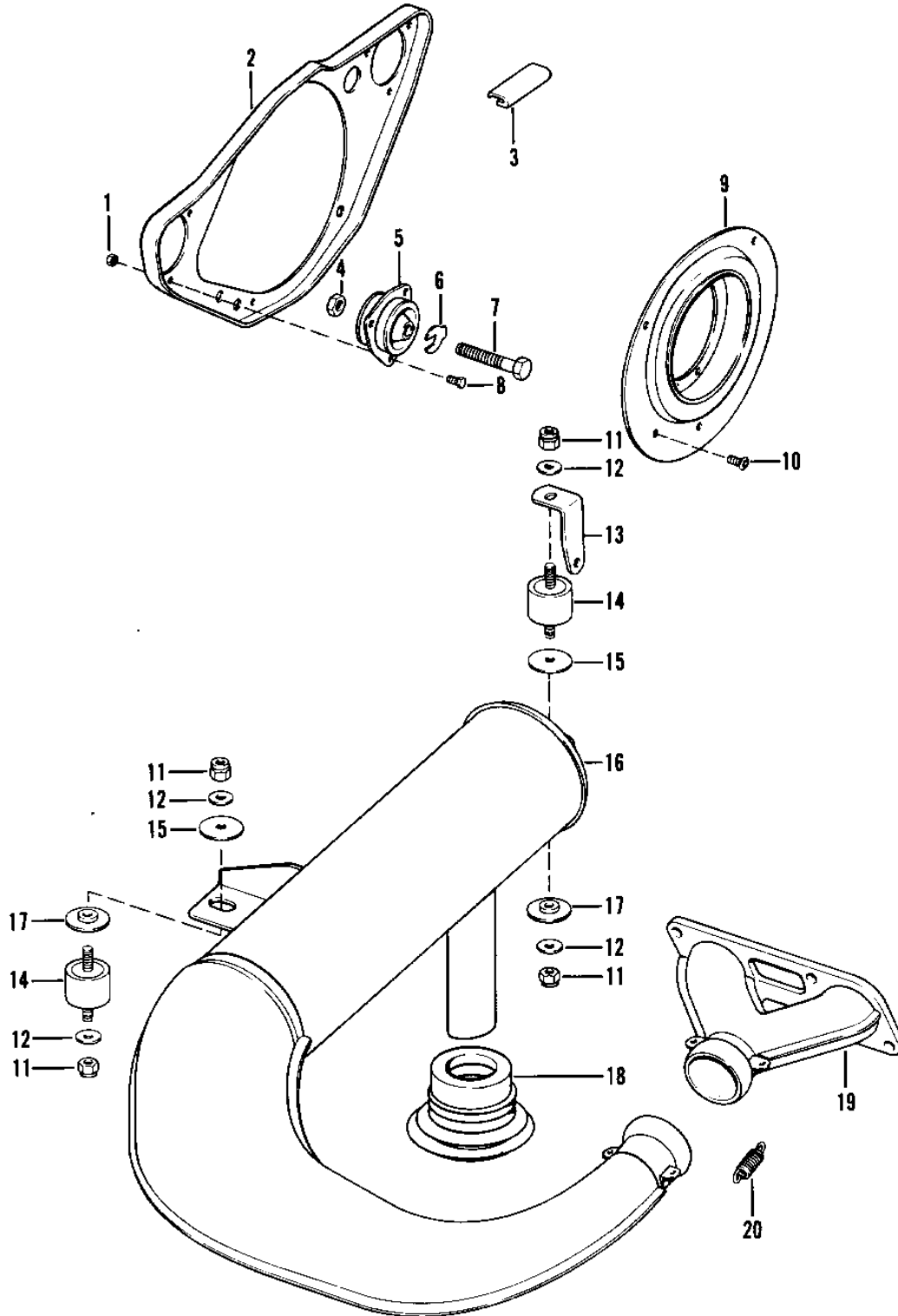


1978 Invader 340 PARTS DIAGRAM

ENGINE MOUNT & EXHAUST



SS340-A1/SS440-A1/ST440-A1

1978 Invader 340 PARTS LIST

ENGINE MOUNT & EXHAUST

ITEM NAME	PART NUMBER	QUANTITY
NUT (Ref # 1)	350BA0800	1
MOUNT-ENGINE (Ref # 2)	39082-3504	1
PAD-ENGINE MOUNT (Ref # 3)	39156-3508	1
NUT (Ref # 4)	350BA1200	1
DAMPER-ENGINE MOUNT (Ref # 5)	92075-3505	1
SHIM-0.08T (Ref # 6)	92025-3506	1
BOLT (Ref # 7)	119BA1240	1
BOLT (Ref # 8)	119BA0808	1
MOUNT-ENGINE-TOP (Ref # 9)	39157-3502	1
SCREW (Ref # 10)	92009-3503	1
NUT (Ref # 11)	351BA1000	1
WASHER (Ref # 12)	412EA1000	1
BRACKET-MUFFLER (Ref # 13)	32069-3501	1
DAMPER-ENGINE MOUNT (Ref # 14)	92075-3506	1
WASHER (Ref # 15)	92022-3518	1
MUFFLER-COMP-TUNED (Ref # 16)	39083-3501	1
WASHER (Ref # 17)	92022-3520	1
BOOT-EXHAUST (Ref # 18)	49006-3502	1
MANIFOLD-EXHAUST (Ref # 19)	39178-3501	1
SPRING-EXHAUST (Ref # 20)	92081-3502	1