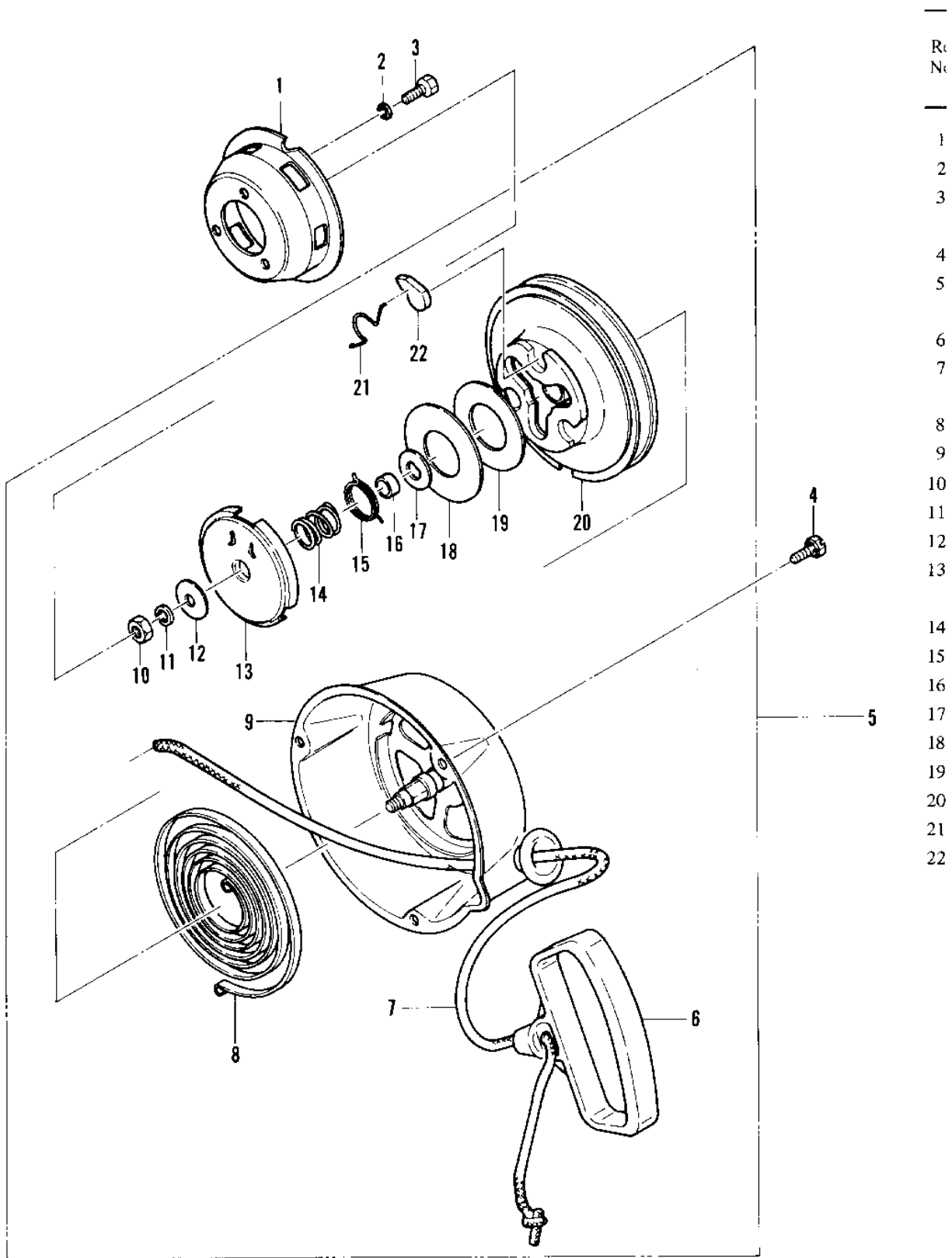


1978 Drifter 340 PARTS DIAGRAM

RECOIL STARTER



-
- Re
- Ne
-
- 1
- 2
- 3
- 4
- 5
- 6
- 7
- 8
- 9
- 10
- 11
- 12
- 13
- 14
- 15
- 16
- 17
- 18
- 19
- 20
- 21
- 22

1978 Drifter 340 PARTS LIST

RECOIL STARTER

ITEM NAME	PART NUMBER	QUANTITY
PULLEY-RECOIL (Ref # 1)	59091-510	1
WASHER SPRING 6MM (Ref # 2)	461F0600	1
BOLT-UPSET (Ref # 3)	112G0618	1
BOLT (Ref # 4)	92001-3023	1
RECOIL ASSY (Ref # 5)	49088-3005-9H	1
.GRIP-RECOIL STARTER (Ref # 6)	46075-3001	1
.ROPE-RECOIL (Ref # 7)	59106-505	1
.SPRING-RECOIL (Ref # 8)	92081-517	1
.CASE-RECOIL (Ref # 9)	59021-508-9H	1
.NUT 8MM (Ref # 10)	92015-513	1
.WASHER-SPRING (Ref # 11)	92029-503	1
.WASHER 1.6T (Ref # 12)	92022-564	1
.PLATE-FRICTION (Ref # 13)	23072-506	1
.SPRING-FRICTION (Ref # 14)	92081-508	1
.SPRING-RETURN (Ref # 15)	92081-512	1
.WASHER (Ref # 17)	92095-503	1
.REEL-RECOIL (Ref # 20)	59101-506	1
.SPRING-PAWL (Ref # 21)	92081-503	1
.PAWL-RECOIL (Ref # 22)	13069-504	1